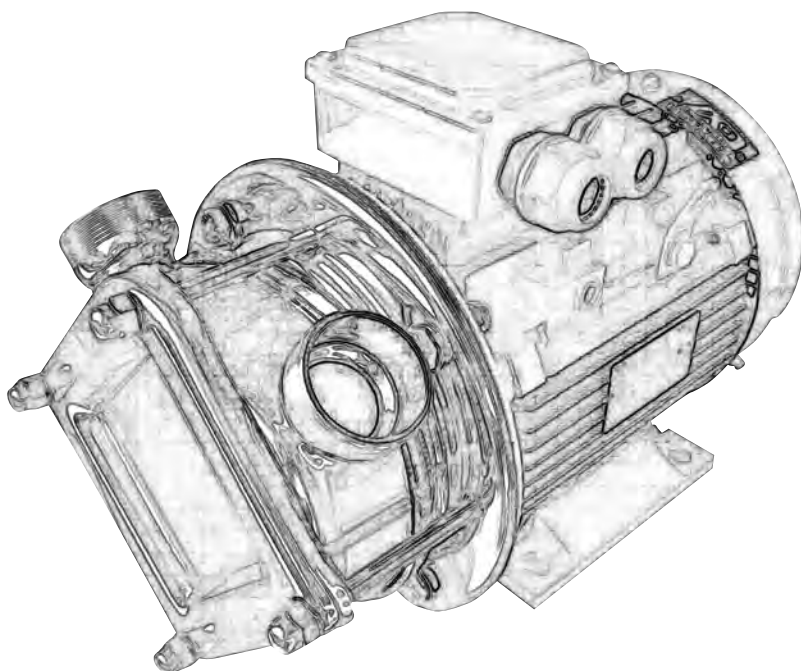


AD

Flexible Impeller Pumps Насос с Гибким импеллером

Installation, Operation and Maintenance

Установка
эксплуатация
техническое обслуживание



CE



<https://prom-nasos.pro>
<https://bts.net.ua>
<https://prom-nasos.com.ua>

+38 095 656-37-57
+38 067 360-71-01
+38 063 362-12-31
info@prom-nasos.pro

ALPHADYNAMIC

CONTENTS MANUAL / ОГЛАВЛЕНИЕ РУКОВОДСТВА

1.1	Instructions manuals / Руководство по эксплуатации.....	4 / 16
1.2	Start-up instructions / Инструкции по вводу в эксплуатацию.....	4 / 16
1.3	Safety / Техника безопасности.....	4 / 16
1.3.1	Warning signs / Предупреждающие знаки.....	4 / 16
1.4	General safety instructions / Общие указания по безопасности.....	4 / 16
1.4.1	During installation / Во время установки.....	4 / 17
1.4.2	During operation / Во время эксплуатации.....	5 / 17
1.4.3	During maintenance / Во время обслуживания.....	5 / 17
1.4.4	Compliance with the instructions / Соблюдение инструкций.....	5 / 17
1.4.5	Warranty / Гарантия.....	6 / 17
2.1	Description / Описание.....	6 / 18
2.2	Operating principle / Принцип эксплуатации.....	6 / 18
3.0	Installation / Установка.....	6 / 18
3.1	Identification of the pump / Идентификация насоса.....	7 / 19
3.2	Handling and storage / Транспортировка и хранение.....	7 / 19
3.3	Location / Расположение.....	7 / 19
4.0	Pipes / Трубопровод.....	8 / 19
4.1	Cut off valves / Запорный клапан.....	8 / 19
4.2	Electric wiring / Электропроводка.....	8 / 20
5.0	Start-up / Запуск.....	9 / 20
5.1	Start up / Начало работы.....	9 / 20
5.1.1	Checks before starting up the pump / Проверка перед включением насоса.....	9 / 21
5.1.2	Checks when starting up the pump / Проверка при запуске насоса.....	9 / 21
6.0	Operating problems / Функциональные проблемы.....	9 / 21
7.0	Maintenace / Техническое обслуживание.....	10 / 23
7.1.1	Check the mechanical seal / Проверка торцевого (механического) уплотнения.....	11 / 23
7.2	Storage / Хранение.....	11 / 23
7.3	Cleaning / Очистка.....	11 / 23
7.3.1	Automatic CIP (cleaning in place) / Автоматическая CIP (очистка на месте).....	11 / 23
7.4	Disassembly / Assembly of the pump / Разборка / Сборка насоса.....	11 / 24
7.4.1	Disassembly / Assembly of the mechanical seal /.....	12
7.4.1	Разборка / Сборка механического уплотнения.....	24
8.0	Technical specifications / Технические характеристики.....	12 / 25
8.1	Bearings Maintenance / Техническое обслуживание подшипников.....	13 / 25
8.2	Cut away view / Вид в разрезе.....	13 / 25
8.3	Dimensions / Размеры.....	14 / 26

1.1. Instructions manual

This manual contains information about the reception, installation, operation, assembly, disassembly and maintenance of the AD pump. The information provided in this Instructions Manual is based on updated facts. ALPHADYNAMIC PUMPS Co reserves the right to modify this Instruction Manual without prior notice.

1.2. Start-up instructions

This Instructions Manual contains vital and useful information for properly operating and maintaining your pump. Read carefully these instructions before starting up the pump; become familiar with the operation and use of your pump and follow the instructions closely. It is very important that a copy of these Instructions is kept in a set place near the plant.

1.3. Safety

1.3.1 Warning signs



General danger of injury



Electrical hazard



Danger of injuries caused by the rotary parts of the equipment



Danger ! Caustics or etching materials



Danger ! Suspended load



Danger of equipment malfunction



Compulsory requirement to ensure safety at work



Use of goggles is compulsory

1.4. General safety instructions



Read carefully this Instructions Manual before installing the pump and starting it up. If in doubt, contact ALPHADYNAMIC.

1.4.1. During installation



Never start up the pump before it has been connected to the piping

Do not start up the pump before it has been installed

Check that the motor specifications are required ones, especially when working under conditions that involve the risk of explosion.



During the installation of the pump ,all the electrical work must be carried out by an authorized operative

1.4.2. During operation



Always observe the Technical Specification given in Chapter 8. NEVER exceed the limit of the specified values.

NEVER touch the pump or the pipes during operation when the pump is being used to decant hot fluids or when it is being cleaned.



The pump contains moving parts. Never introduce your fingers into the pump while the pump is in operation



Never operate the pump with the inlet and discharge valves closed
Never clean the electrical motor with water. The standard protection of the motor is IP-55. Protection against dust and spraying water.

1.4.3 During maintenance



Always observe the technical specification given in chapter 8.

Never disassemble the pump before the pipes have been emptied. Remember that some of the fluid will always remain in the pumpcasing (when no drainage is provided) . Note that the pumped fluid may be dangerous or very hot . Please refer to the regulations applicable in the respective country .

Do not leave detached parts on the floor.



Always disconnect the pump from the power before beginning the maintenance . remove the fuses and disconnect the cables from the motor terminals.

All the electrical work must be carried out by an authorized operative.

1.4.4. Compliance with the instructions

Any failure to comply with the instructions might entail risks to the operators, the environment and the equipment, and result

in the loss of the right to claim for damages.

Such non-compliance might entail the following risks:

- Failure of important functions of the equipment / plant.
- Failure of specific maintenance and repair procedures.
- Threat of electrical, mechanical and chemical risks.
- Environmental risks caused by the release of substances

1.4.5. Warranty

Any warranty provided shall immediately and ipso jure become void, and ALPHADYNAMIC shall be indemnified against any product liability claim from third parties, if:

- the service and maintenance work was not carried out in accordance to the service instructions, or the repair work has not been carried out by our personnel or it has been carried without our written authorization;
- our materials have been changed without prior written authorization;
- the parts or lubricants used are not original ALPHADYNAMIC parts and products;
- the materials were used improperly or carelessly, or not in accordance to these instructions and their intended use;
- pump parts were damaged by strong pressure for lack of a safety valve,

The General Delivery Terms already furnished to you also apply.

No change can be made to the equipment without prior discussion with the manufacturer. For your safety, please use original spare parts and accessories.

The use of other parts will release the manufacturer from any liability.

The service terms can only be changed with prior written authorisation from ALPHADYNAMIC.

When in doubt, or if you would like more detailed information on specific matters (adjustment, assembly, disassembly, etc.), please do not hesitate to contact us.

2.1. Description

Flexible-impeller pumps are part of ALPHADYNAMIC pumps range. Their basic structure consists in a die-pressed casing manufactured in AISI 304L or 316L and an rubber impeller. The other parts in contact with pumped material are also made of AISI 304L or 316L. The pumps of the AD series are available both in monoblock version with direct motor and in bareshaft configuration; optionally, they can also be supplied mounted on a stainless-steel trolley. The standard sealing is mechanical seal in graphite/ ceramic with NBR gaskets. The standard connections are BSP(M) adaptors. The design of the AD pumps makes them suitable for handling both low- and high-viscosity fluids, especially those containing solid particles, air, or gases in general. It should be noted that these pumps are self-priming and reversible,

This equipment is suitable for its use in food process.

2.2. Operating principle

The operation of the pump can be seen in the following figure:



- The special contour of the casing makes the volume of the cavities formed between the casing and the blades increase progressively. Thus, the fluid is forced to flow into the casing.
- The continuous rotation of the impeller transports the chambers filled with fluid from the suction side to the discharge nozzle.
- In the discharge area, the volume of the cavities decreases smoothly, thereby expelling the fluid into the facility.
- From this principle of operation, it can be seen that these are positive displacement reversible pumps; i.e. by changing the direction of rotation of the impeller, the direction of pumping can be inverted,

3.0 Installation



ALPHADYNAMIC cannot be held responsible for the damage sustained by the equipment during transport or packaging. Please visually check that the packaging is not damaged.

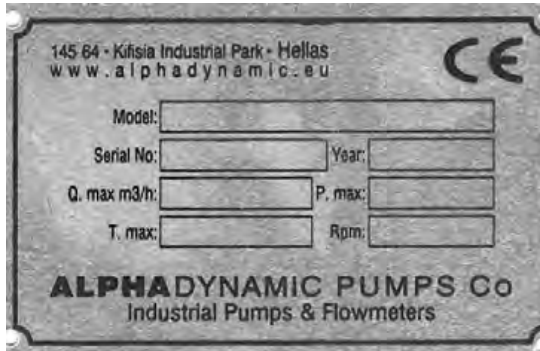
The pump package includes the following documents:

- Dispatch sheets.
- Instruction and Service Manual of the pump.

Unpack the pump and check the following:

- The suction and discharge connections of the pump, removing any rest of packaging materials.
- The pump and the motor are not damaged,
- If the equipment is not in good condition and/or any part is missing, the carrier should report accordingly as soon as possible.

3.1 Identification of the pump



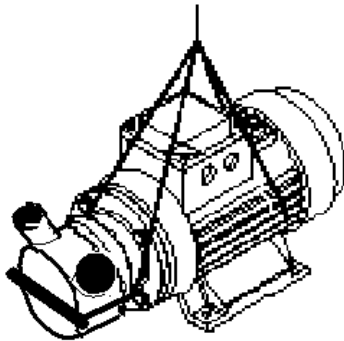
pump plate

3.2 Handling and storage



AD pumps are often too heavy to be handled and stored manually

Lift the pump as shown below:



3.3 Location

- Place the pump as close as possible to the suction tank and if possible below the fluid level.
- Place the pump so as to allow around it space enough to access the pump and the motor.
- Mount the pump on a flat, level surface.
- The foundation must be rigid, horizontal, level and vibration-proof.



Install the pump Install the pump so as to allow proper ventilation.

If the pump is installed outdoors, it should be covered by a roof. Its location should allow easy access for inspection or maintenance operations.

4.0 Pipes

- As general rule, fit the suction and discharge pipes in straight sections, with the least possible number of bends and accessories in order to reduce as much as possible any loss of load caused by friction.
- Ensure that the nozzles of the pump are properly aligned to the pipe and their diameter is similar to that of the pump connections.
- Place the pump as close as possible to the suction tank, if possible below the fluid level, or even below the tank, so that the manometric head of the static suction is highest.
- Place pipe supports as close as possible to the suction and discharge nozzles of the pump.

4.1. Cut-off valves

The pump can be isolated for maintenance purposes. To such end, cut-off valves must be fitted to the suction and discharge nozzles of the pump,

These valves must ALWAYS be open during operation of the pump.

4.2 Electric wiring



The connection of the electrical motors must be performed by a qualified operative,

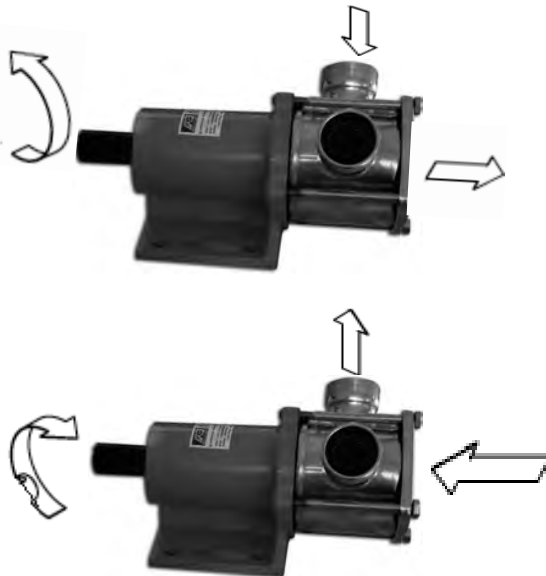
Take all necessary precautions to prevent the failure of connections and cables.



The electrical equipment, the terminals and the components of the control systems may still bear electrical current when powered off. Contact with them may be dangerous for operators or cause irreversible damage to equipment.

Before handling the pump, make sure that the switchboard is not powered on.

- **Connect the motor following the manufacturer's instructions**
- **Check the direction of rotation.**



Start the pump motor briefly, Ensure the pumping direction is the right one. If the pump operates in the wrong direction it may cause severe damage.



ALWAYS check the direction of rotation of motor with fluid inside de pump.

5. Start-up



Before starting the pump , carefully read the instructions given in chapter 4

5.1 Start-up



NEVER touch the pump or the pipes when hot fluid is being pumped

5.1.1. Checks before starting up the pump

- Fully open the cut-off valves on the suction and discharge pipes.
- If the fluid does not flow into the pump, fill the pump with fluid



The pump **NEVER** rotate without fluid inside it.

- Check that the direction of rotation of motor is the right one.

5.1.2. Checks when starting up the pump

- Check whether the pump makes strange sounds.
- Check whether the absolute inlet pressure is enough to avoid cavitation in the pump. See the curve to determine the minimum pressure required above steam pressure (NPSHr).
- Control discharge pressure.
- Check that there are no leaks through the sealed areas.



A cut-off valve on the suction pipe must no be used to regulate flow . Cut-off valves must be fully open during operation



Control motor consumption to avoid power overload

Reduce flow and motor power consumption by reducing motor speed.

In order to prevent to work over the designs pressure, avoiding damaging the pump and having fast wear of the rotor a flow by-pass is needed.

6. Operating problems

The following table provides solutions to problems that might arise during the operation of the pump. The pump is assumed to have been properly installed and be suitable for the relevant application. Please contact ALPHADYNAMIC if technical assistance is required.

Operation problems	Probable causes
Motor overload	8,12,13,19,
The pump does not provide enough flow of pressure	1,2,4,5,7,8,9,16,18
No pressure on the discharge side	2,3,6,17,18,20
Uneven discharge flow pressure	1,2,4,5,6,8,20
Noise and vibration	2,4,5,6,7,8,9,12,13,14,19
The pump gets clogged	8,9,12,13,14,19,
Overheated pump	8,9,12,13,14,19
Excessive wear	4,5,9,13,14,19,20
The mechanical seal leaks	10,11,15

No	Probable causes	Solutions
1	Wrong direction of rotation	Reverse the direction of rotation
2	NPSH is not high enough	Increase the available NPSH <ul style="list-style-type: none"> • Place the suction tank higher • Place the pump lower • Reduce steam pressure • Increase the diameter of the suction pipe • Shorten and simplify the suction pipe
3	Pump not drained	Drain or fill
4	Cavitation	Increase suction pressure (see also 2)
5	Air is suctioned by the pump	Check the suction pipe and all its connections
6	Clogged suction pipe	Check the suction pipe and all its filters , if any
7	Discharge pressure too high	If necessary , reduce load losses , eg by increasing the diameter of the pipe.
8	Fluid viscosity too high	Reduce the viscosity e.g by heating the fluid
9	Fluid temperature too high	Reduce the temperature by cooling the fluid
10	Mechanical seal damaged or worn out	Replace the seal
11	O-rings unsuitable for the fluid	Fit suitable orings
12	Excessive impeller expansion	Reduce temperature / change the impeller
13	Stressed pipes	Connect the pipes to the pump so as to avoid stress
14	Foreign matter in the fluid	Fit a filter to suction pump
15	The mechanical seal tension is too low	Adjust according the instructions of this manual
16	Pump speed too low	Increase speed
17	The cut-off valve on the suction side is closed	Check and open
18	Pump too small	Chose a larger pump size
19	Ball bearings are worn out	Replace ball bearings ; review the pump
20	Impeler is worn out or has operated in vacuum	Attach the pumps – and/or motor and check whether the pipes are connected without stress and align the coupling



If the problem persists , use of the pump must cease immediately . Contact the pump's manufactures or their representative

7. Maintenance

7.1. General

Like any other machine, this pump requires maintenance. The instructions included in this manual cover the identification and replacement of spare parts. These instructions are intended for the maintenance personnel and those responsible for the supply of spare parts.



All replaced materials must be disposed of / recycled in accordance to the applicable local regulations



ALWAYS disconnect the pump from the power before performing the maintenance

7.1.1. Check the mechanical seal

Regularly check that there are no leaks in the shaft area. If there are leaks through the mechanical seal, replace it following the instructions given under the Disassembly and Assembly section.

7.2. Storage

The pump must be completely emptied of fluid before storage. If possible, avoid exposing the components of the pump to excessively humid environments,

Flexible impellers must be stored in a dry place protected from direct sunlight.

Remove the impeller when the pump will not be used for a long time

7.3 Cleaning



The use of aggressive cleaning products, such as caustic soda and nitric acid, **can** cause skin **burns**

Use rubber gloves during cleaning procedures



Always use protective goggles

7.3.1 Automatic CIP (cleaning-in-place)

If the pump is installed in a system with a CIP process, it is not necessary to disassemble the pump. If the automate cleaning process is not provided, proceed to disassemble the pump as indicated in the Disassembly and Assembly section.

Cleaning solutions for CIP processes

Use only clear water (without chlorides) for mixing with the cleaning agents:

a) Alkaline solution: 1% in weight of caustic soda [NaOH] at 70 °C [150°F]

b) Acid solution: 0.5% in weight of nitric acid [HNO₃] at 70°C (150°F)

Control the concentration of the cleaning solutions to avoid deterioration of the pump seals.

To remove the remaining cleaning products ALWAYS perform a final rinse with clean water on completion of the cleaning process

7.4 disassembly / assembly of the pump

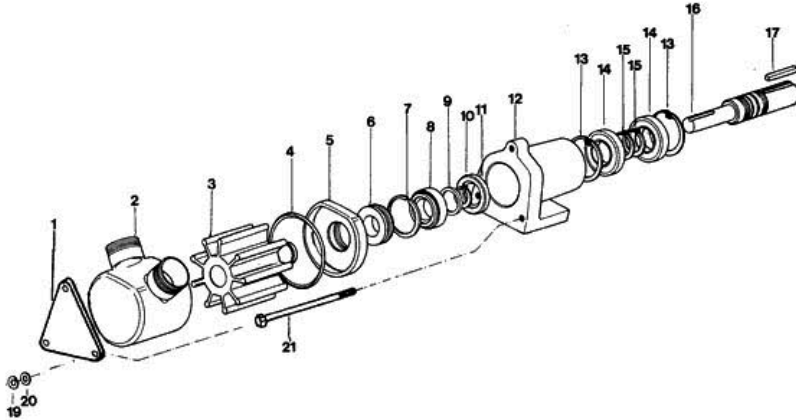
Pump casing , impeller and mechanical seal.

Disassembly

Loosen the blind nuts and detach the pump cover. Then pull out the casing together with the impeller . remove the rotary part of the mechanical seal , the o-ring and the tie bars from the casing . Finally , remove the stationary part of the seal and the splash ring from the shaft.

Assembly

Slide the impeller into the casing. slide the rotary part of the seal over the impeller shaft to the end. Put the stationary part of seal at the back cover. Put the back cover into the casing slide the set into the motor shaft , tie the restraining mechanism.



Before the impeller is mounted , it should be lubricated with grease . For food-processing applications use health-safe grease.

Insert the impeller into the casing and rotate it in the direction of rotation

Change of ball bearings (bare shaft)

Disassembly

Remove the ball bearings , the seal and the elastic ring. Pull out the assembly formed by the shaft , bearing , elastic ring and stop ring . remove the elastic ring and the ring . Finally remove the bearings and the spacers bushing.

Assembly

Mount the bearings and the spacer bushing to the shaft . Place the stop ring and attach it using the elastic ring. Mount the assembly to the bearings support and attach it using the elastic ring.

7.4.1 Disassembly of the mechanical seal

Disassembly

Loose the blind nuts remove the casing , remove the stationary part of the seal from the back pump cover , remove the rotary part of the seal from the impeller , replace the seal after you have submersed it in soapy water.

Assembly

Follow the exact procedure as above in reverse.

8. Technical specifications

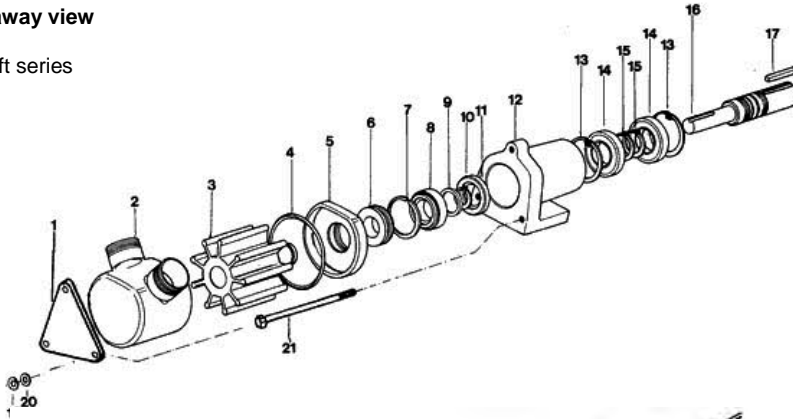
RANGE OF EMPLOYMENT	Capacity up to 56 m ³ /h
MAXIMUM TEMPERATURE	75° C
MAXIMUM PRESSURE	3 bar
ENGINES	From 0,75 to 6HP Enclosed type for external ventilation IP55
BODY PUMP CONSTRUCTION	AISI 304 or AISI316
IMPELLER CONSTRUCTION	Neoprene
SEAL	Mechanical rotative type Graphite/inox/NBR Tungsten carbide / Tungsten carbide/NBR Tungsten carbide / Tungsten carbide/NBR
SEAL GASKETS	NBR

8.1 Bearings maintenance

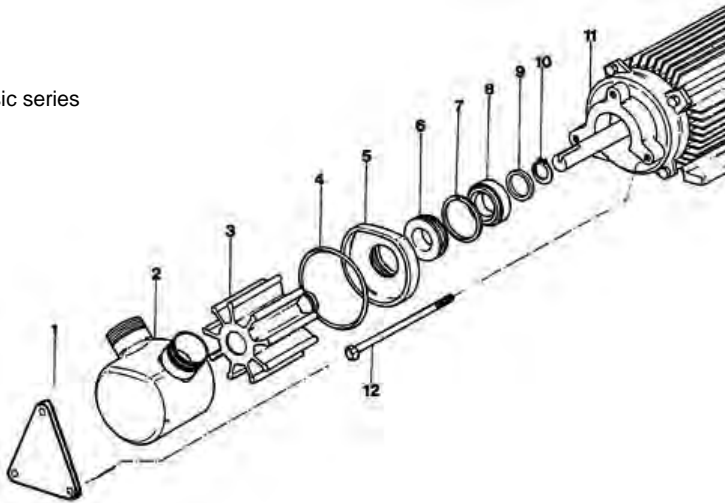
The bare shaft pump AD bearings are permanently greased bearings , so no lubrication maintenance is required . under normal working duties , they must be changed after 15.000 working hours. regarding motor bearings shall be carried out in accordance with the manufacturer's instructions.

8.2 Cut away view

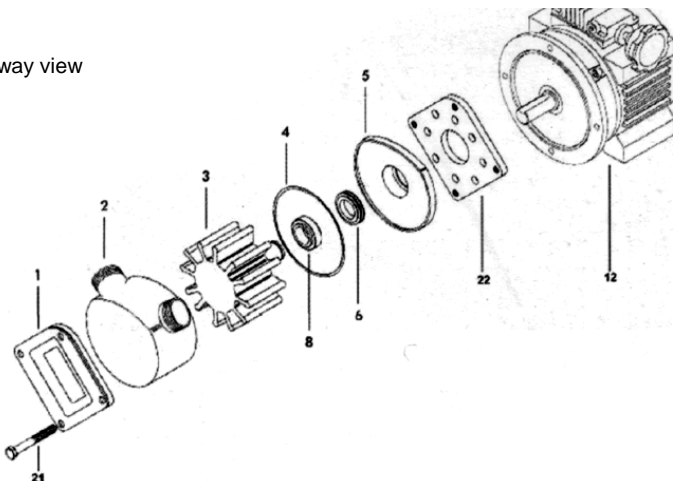
Bare shaft series



ADxx Clasic series

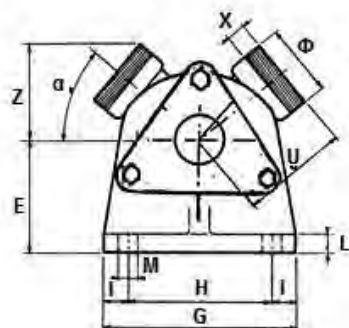
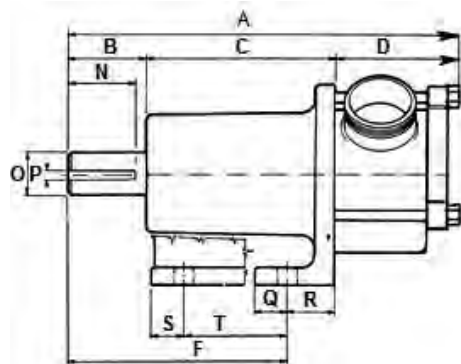


ADxx.1 CC Cut away view



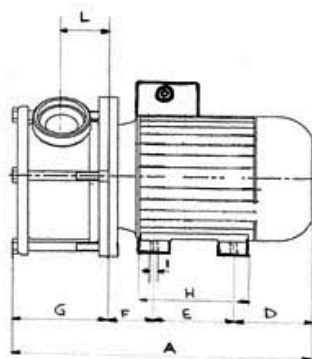
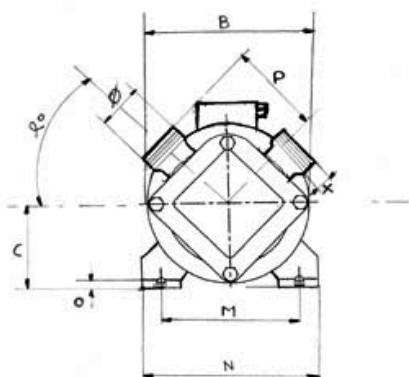
8.3 Dimensions

Dimensions AD Bare Shaft pumps

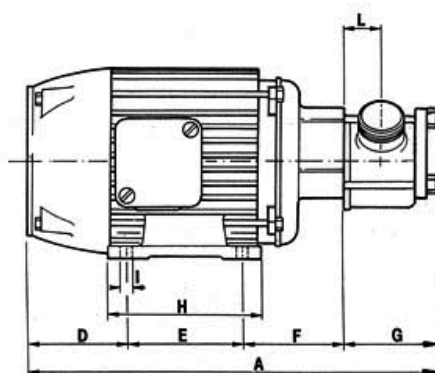
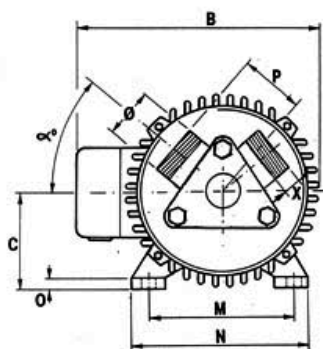


TYPE	A	B	C	D	E	F	G	H	I	L	M	N	O	P	Q	R	S	T	U	X	Z	∅	α
AD 30 BARE SHAFT	250	65	82	103	57	117	113	80	14	15	9	40	25	6x6	20	30	-	-	56	1347	1 1/4	41	
AD 40 BARE SHAFT	278	65	90	123	57	120	137	85	21	14	9	50	30	8x7	30	32	-	-	71	1553	1 1/2	33	
AD 50 BARE SHAFT	390	65	160	165	90	185	160	120	20	14	14	50	35	8x7	-	35	25	96	96	1770	2	40	

Dimensions ADxx.1 CC pump



TYPE	A	B	C	D	E	F	G	H	I	L	M	N	O	P	X	α	∅
AD 30.1	375	210	80	100	100	45	125	170	9	53	125	158	8	-	15	45	1 1/4
AD 40.1	430	250	130	103	140	65	135	170	12	37	165	195	47,2	160	20	45	1 1/2
AD 50.1	435	250	115	100	140	70	125	170	11	54	190	231	11	110	17	40	2
AD 80.1	660	250	134	190	140	120	235	218	13	85	215	261	16	160	22	45	3



TYPE	A	B	C	D	E	F	G	H	I	L	M	N	O	P	X	o	Ø
AD 30	367	208	80	83	100	84	100	122	12	30	125	155	10	56	13	41	1 1/4"
AD 40	445	256	99	98	140	91	116	170	17	35	160	198	14	71	15	33	1 1/2"
AD 50	629	337	124	147	180	145	157	225	20	54	218	256	18	92	17	40	2"
AD 65	587	269	132	158	178	98	164	218	12	65	216	256	17	122	15	46	2 1/4"

1.1. Руководство по эксплуатации

Данное руководство содержит информацию о процедуре получения, установке, эксплуатации, сборке, разборке и обслуживании насоса AD.

Информация, представленная в этом руководстве по эксплуатации, основана на обновленных фактах. ALPHADYNAMIC оставляет за собой право вносить изменения в настоящее руководство по эксплуатации, без предварительного уведомления.

1.2. Инструкции по вводу в эксплуатацию

Это руководство по эксплуатации содержит необходимую и полезную информацию для правильной эксплуатации и обслуживания насоса.

Внимательно прочитайте эту инструкцию перед запуском насоса; ознакомьтесь с условиями эксплуатации и использования Вашего насоса и точно следуйте инструкциям. Очень важно хранить копию данной инструкции в доступном месте поблизости от насоса.

1.3. Техника безопасности

1.3.1 Предупреждающие знаки



Общая опасность травмирования



Опасность поражения электрическим током



Опасность травм вращающимися частями оборудования



Опасность! Каустические и едкие вещества



Опасность! Подвесные грузы



Опасность неисправности оборудования



Обязательное требование для обеспечения безопасности труда



Обязательное использование защитных очков

1.4. Общие указания по безопасности



Внимательно прочитайте это руководство по эксплуатации перед установкой и запуском насоса. Если у Вас возникли сомнения, обратитесь в ALPHADYNAMIC.

1.4.1. Во время установки



Никогда не включайте насос, не подсоединив трубопровод.
Не запускайте насос до того, как он установлен.

Убедитесь, что характеристики двигателя являются искомыми, особенно при работе в условиях, которые включают риск взрыва.



Во время установки насоса все электромонтажные работы должны выполняться квалифицированным специалистом.

1.4.2. Во время эксплуатации



Всегда соблюдайте технические характеристики, приведенные в главе 8. НИКОГДА не превышайте предел указанных значений.



Насос содержит движущиеся части. Никогда не кладите пальцы в насос, когда насос находится в работе.



Никогда не включайте насос с закрытыми впускными и выпускными клапанами.
Никогда не мойте электродвигатель водой. Стандартная защита электродвигателя – IP-55.

Защищайте насос от пыли и разбрызгивания воды.

1.4.3 Во время обслуживания



Всегда соблюдайте технические характеристики, приведенные в главе 8.

Никогда не разбирайте насос до полной очистки труб от жидкости. Следует помнить, что часть жидкости всегда будет оставаться в корпусе насоса (при отсутствии дренажа). Обратите внимание, что перекачиваемая жидкость может быть опасной или очень горячей. Пожалуйста, соблюдайте правила, принятые в Вашей стране.

Не оставляйте запасные части на полу.



Перед началом технического обслуживания всегда отключайте насос от сети. Удалите предохранители и отсоедините кабели от клемм двигателя.

Все электромонтажные работы должны выполняться квалифицированными специалистами.

1.4.4. Соблюдение инструкций

Любое несоблюдение инструкций может повлечь за собой риски для операторов, окружающей среды и оборудования, и в результате к потере права на иск о возмещении ущерба.

Такое несоблюдение может повлечь за собой следующие риски:

- Отказ важных функций оборудования / установки.
- Невыполнение конкретных процедур технического обслуживания и ремонта.
- Угроза электрических, механических и химических рисков..
- Экологические риски, связанные с выпуском веществ в окружающую среду.

1.4.5. Гарантия

Любая предоставляемая гарантия, незамедлительно и законно теряет силу, и ALPHADYNAMIC освобождается от любых претензий ответственности за качество продукции от третьих лиц, если:

- работа обслуживание и ремонт не проводился в соответствии с инструкцией по эксплуатации, или ремонтные работы не проводились нашим персоналом или они проводились без нашего письменного разрешения;
- наши материалы были заменены без предварительного письменного согласования;
- используемые запасные части или смазки не являются оригинальными продуктами ALPHADYNAMIC;
- материалы были использованы ненадлежащим образом или небрежно, или не в соответствии с этими инструкциями и их предполагаемым использованием;
- части насоса были повреждены во время сильного давления из-за отсутствия предохранительного клапана.

Применяются общие условия поставки.

- Оборудование не может подвергаться никакому изменению без предварительного согласования с производителем. Для своей безопасности, пожалуйста, используйте только оригинальные запасные части и аксессуары.
- Использование других деталей освобождает производителя от любой ответственности. Условия обслуживания могут быть изменены только после предварительного письменного разрешения ALPHADYNAMIC.
- В случае возникновения сомнений или необходимости получить более подробную информацию по конкретным вопросам (регулировка, монтаж, демонтаж и т.д.), пожалуйста, незамедлительно обращайтесь к нам.

2.1. Описание

Насосы с гибким (мягким) рабочим колесом являются частью серии насосов ALPHADYNAMIC. Их основная структура состоит из штампованного корпуса, изготовленного из нержавеющей стали AISI 304L или 316L и резиновой крыльчатки (рабочего колеса). Остальные детали, контактирующие с перекачиваемым материалом, также сделаны из нержавеющей стали AISI 304L или 316L. Насосы серии AD доступны как в версии моноблока с прямым двигателем, так и в конфигурации голого вала, по выбору, они также могут быть снабжены тележкой из нержавеющей стали. Стандартное уплотнение - торцевое уплотнение в графите / керамике с прокладками NBR. Стандартные соединения – адаптеры BSP(M). Конструкция насосов AD делает их подходящими как для обработки жидкостей с низкой, так и с высокой вязкостью, особенно тех, которые содержат твердые частицы, воздух, или газы в целом. Следует отметить, что эти насосы самовсасывающиеся и реверсивные (с реверсивным потоком).

Это оборудование подходит также для работы с пищевыми продуктами.

2.2. Принцип эксплуатации

Принцип работы насоса можно увидеть на следующем рисунке:



- Специальный контур корпуса позволяет постепенно увеличивать объем полостей, образованных между корпусом и лопастями. Таким образом, жидкость вынуждена течь в корпус.
- Непрерывное вращение крыльчатки перемещает камеры, заполненные жидкостью из всасывающей стороны по направлению к выпускному клапану.
- В области выпускного клапана, объем полостей плавно уменьшается, тем самым вытесняя жидкость в установку.
- Из этого принципа работы, можно увидеть, что это – реверсивные насосы с положительной подачей, т.е., изменив направление вращения рабочего колеса, можно изменить направление перекачки.

3.0 Установка



ALPHADYNAMIC не несет ответственность за ущерб, причиненный оборудованию во время транспортировки, или во время повреждения упаковки. Пожалуйста, визуально проверьте, что упаковка не повреждена.

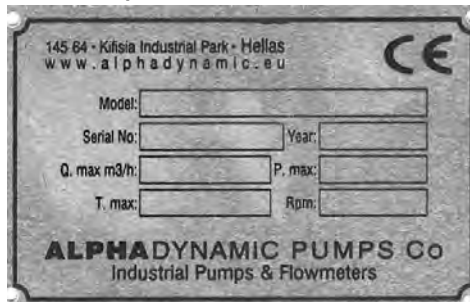
Упаковка насоса сопровождается следующими документами:

- Документы об отправке.
- Инструкция и руководство по техническому обслуживанию насоса.

При распаковке насоса проверьте следующее:

- Впускные и выпускные соединения насоса, удалив остатки упаковочного материала.
- Не поврежден ли насос и двигатель.
- Если оборудование не в хорошем состоянии и/или любая его часть отсутствует, то перевозчик должен немедленно предоставить соответствующий акт.

3.1 Идентификация насоса



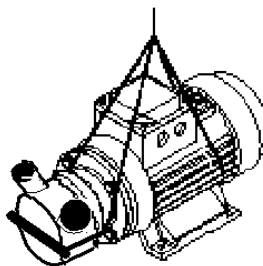
пластина насоса

3.2 Транспортировка и хранение



насосы AD зачастую слишком тяжелые, чтобы передвигать их или укладывать вручную

Поднимайте насос, как показано ниже:



3.3. Расположение

- Установите насос как можно ближе к емкости и, если это возможно ниже уровня жидкости.
- Установите насос так, чтобы вокруг него было достаточно пространства для свободного доступа к насосу и двигателю.
- Установите насос на ровную горизонтальную поверхность.
- Фундамент должен быть прочным, горизонтальным, ровным и виброустойчивым.



Установите насос таким образом, чтобы обеспечить необходимую вентиляцию. Если насос установлен на открытом воздухе, он должен находиться под крышей. Его расположение должно обеспечивать легкий доступ для операций проверки или технического обслуживания.

4.0 Трубопровод

- Согласно общему правилу, прикрепите впускную и выпускную трубы на прямых участках, с наименьшим возможным количеством изгибов и аксессуаров, в целях наибольшего снижения мощностей, вызванной трением.
- Убедитесь, что сопла насоса правильно выровнены с трубой и их диаметр совпадает с диаметром соединений насоса.
- Установите насос как можно ближе к емкости, по возможности ниже уровня жидкости, или даже ниже емкости, так чтобы манометрический напор статического всасывания был самым высоким.
- Установите опоры труб как можно ближе к впускным и выпускным патрубкам насоса.

4.1. Запорный клапан

Насос может быть изолированным для технического обслуживания. В таком случае, должны быть установлены запорные клапаны на впускной и выпускной патрубки насоса.

Эти клапаны должны быть всегда открыты во время работы насоса.

4.2 Электропроводка



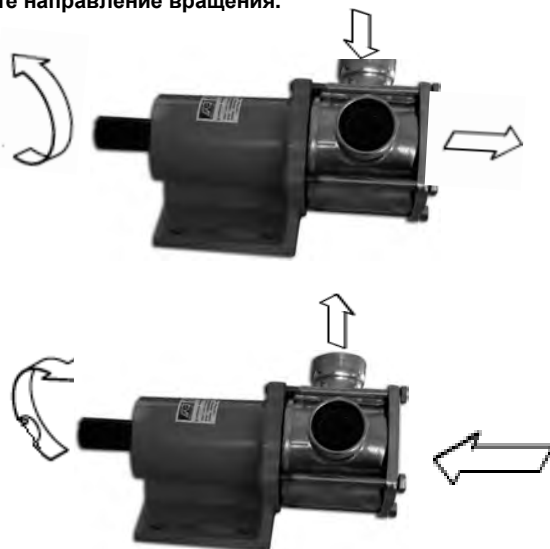
Подключение электрических двигателей должно выполняться квалифицированным специалистом.

Примите все необходимые меры предосторожности, чтобы предотвратить поломку соединений и кабелей.



Электрооборудование, клеммы и компоненты системы управления могут все еще содержать электрический ток в выключенном состоянии. Контакт с ними может быть опасным для операторов или привести к необратимому повреждению оборудования. Перед началом работы с насосом, убедитесь, что щит не включен.

- Подключите двигатель в соответствии с инструкциями изготовителя.
- Проверьте направление вращения.



Включите двигатель насоса на короткое время. Убедитесь, что направление перекачки правильное. Если насос работает в неправильном направлении, это может привести к серьезному повреждению.



ВСЕГДА проверяйте направление вращения двигателя с жидкостью внутри насоса.

5.0 Запуск



Перед запуском насоса, обязательно ознакомьтесь с инструкциями, приведенным в главе 4.

5.1 Начло работы



НИКОГДА не прикасайтесь к насосу или трубам во время перекачки горячей жидкости.

5.1.1. Проверка перед включением насоса

- Полностью откройте запорные клапаны на впускной и выпускной трубе.
- Если жидкость не поступает в насос, наполните насос жидкостью.



НИКОГДА не вращайте насос без жидкости внутри

- Проверьте правильность направления движения двигателя.

5.1.2. Проверка при запуске насоса

- Проверьте, не издает ли насос странные звуки.
- Убедитесь, что абсолютного давления на входе достаточно, чтобы избежать кавитации в насосе. См. кривую для определения минимального давления, необходимого выше давления пара (NPSHr).
- Контролируйте давление на выходе.
- Убедитесь, что нет никаких утечек через уплотнения.



Запорный клапан на всасывающей трубе не должен использоваться для регулирования потока. Запорные клапаны должны быть полностью открыты во время работы.



Контролируйте потребление двигателя, чтобы избежать перегрузки мощности.

Уменьшить расход и потребление энергии двигателя за счет снижения скорости двигателя. Для того, чтобы не превышать проектное давление во время работы, и избегать повреждения насоса и быстрого износа ротора, необходим поток байпаса.

6.0 Функциональные проблемы

В следующей таблице приведены решения проблем, которые могут возникнуть во время работы насоса. Предполагается, что насос, был правильно установлен и правильно применяем. Пожалуйста, свяжитесь с ALPHADYNAMIC, если потребуются техническая помощь.

Функциональные проблемы	Вероятные причины
Перегрузка двигателя	8, 12, 13, 19
Насос не обеспечивает достаточного потока или давления	1, 2, 4, 5, 7, S, 9, 16, 18.
Нет давления на стороне нагнетания	2, 3, 6, 17, 18, 20
Неравномерно выпускаемый поток/неравномерное давление	1,2, 4, 5, 6, 8, 20
Шум и вибрация	2, 4, 5,6, 7, 8, 9, 12, 13, 14, 19
Насос засоряется	8, 9,12, 13, 14, 19
Перегрев насоса	8, 9, 12, 13, 14, 19
Чрезмерный износ	4, 5, 9, 13, 14, 19 , 20.
Утечки механического уплотнения	10, 11, 15.

Вероятные причины		Решения
1	Неправильное направление вращения	Поменяйте направление вращения
2	Давление на входе насоса (NPSH) недостаточно высоко	Увеличьте доступное давление на входе насоса (NPSH): <ul style="list-style-type: none"> - Поместите всасывающий резервуар выше - Установите насос ниже - Снизьте давление пара - Увеличьте диаметр всасывающей трубы - Укоротите и упростите всасывающую трубу
3	Насос не слит	Слейте или заполните насос
4	Кавитация	Увеличьте давление всасывания (также см. 2)
5	Воздух всасывается насосом	Проверьте всасывающий шланг и все его соединения
6	Засорение всасывающего трубопровода	Проверьте всасывающий шланг и все его фильтры, если такие есть
7	Давление нагнетания слишком высокое	При необходимости уменьшайте потери давления, например, за счет увеличения диаметра трубы, или включая байпас.
8	Вязкость жидкости слишком высока	Уменьшайте вязкость, например, путем нагрева жидкости.
9	Температура жидкости слишком высока	Уменьшайте температуру путем охлаждения жидкости
10	Механическое уплотнение повреждено или изношено	Замените уплотнение
11	Уплотнительные кольца не подходят для данной жидкости	Установите подходящие уплотнительные кольца. Обратитесь к производителю.
12	Чрезмерное расширение крыльчатки (рабочего колеса)	<ul style="list-style-type: none"> - Уменьшайте температуру - Замените крыльчатку
13	Трубы напряжены	Соедините трубы с насосом так, чтобы избежать напряжения
14	Посторонние вещества в жидкости	Установите фильтр для всасывающей трубы.
15	Напряжение механического уплотнения слишком низкое	Отрегулируйте в соответствии с указаниями данного руководства
16	Скорость насоса очень низкая	Увеличьте скорость
17	Запорный клапан на стороне всасывания закрыт	Проверьте и откройте
18	Насос слишком мал	Выберите насос большего размера
19	Шариковые подшипники изношены	Замените шарикоподшипники, осмотрите насос
20	Рабочее колесо изношено или работает в вакууме	Замените крыльчатку (рабочее колесо)

7. Техническое обслуживание

7.1. Общие положения

Как и любой другой механизм, этот насос требует технического обслуживания. Инструкции в этом руководстве относятся к идентификации и замене запасных частей. Эти инструкции предназначены для обслуживающего персонала и лиц, ответственных за поставку запасных частей.



Все замененные материалы должны быть утилизированы / переработаны в соответствии с действующими местными законами.



ВСЕГДА отключайте насос от питания перед его техническим обслуживанием.

7.1.1. Проверка торцевого уплотнения

Регулярно проверяйте, нет ли утечек в зоне вала. Если есть утечки через торцевое уплотнение, замените его, следуя указаниям в разделе «Разборка и сборка».

7.2. Хранение

Перед хранением из насоса должна быть полностью удалена жидкость. Если возможно, не подвергать компоненты насоса воздействию чрезмерно влажной среды.

Гибкие рабочие колеса должны храниться в сухом, защищенном от прямых солнечных лучей месте.

Демонтируйте рабочее колесо, если насос не используется длительное время.

7.3 Очистка



Использование агрессивных чистящих средств, таких как каустическая сода и азотная кислота, могут вызвать ожоги кожи.

Используйте резиновые перчатки во время процедуры очистки.



Всегда используйте защитные очки.

7.3.1 Автоматическая CIP (очистка на месте)

Если на насосе установлена система очистки CIP, что нет необходимости в разборке насоса.

Если автоматический процесс очистки не предусмотрен, приступайте к разборке насоса, как указано в разделе «Разборка и сборка».

Чистящие растворы для процесса CIP очистки

Используйте только чистую воду (без хлоридов) для смешивания с моющими средствами:

a) Щелочной раствор: 1% по весу каустической соды (NaOH) при 70°C (150°F)

b) Раствор кислоты: 0,5% по весу азотной кислоты (HNO₃) при 70°C (150°F)

Контролируйте концентрацию моющих растворов, чтобы избежать ухудшения уплотнителей насоса.

Чтобы удалить оставшиеся чистящие средства **ВСЕГДА** выполняйте окончательную промывку чистой водой по завершении процесса очистки.

7.4 Разборка / сборка насоса

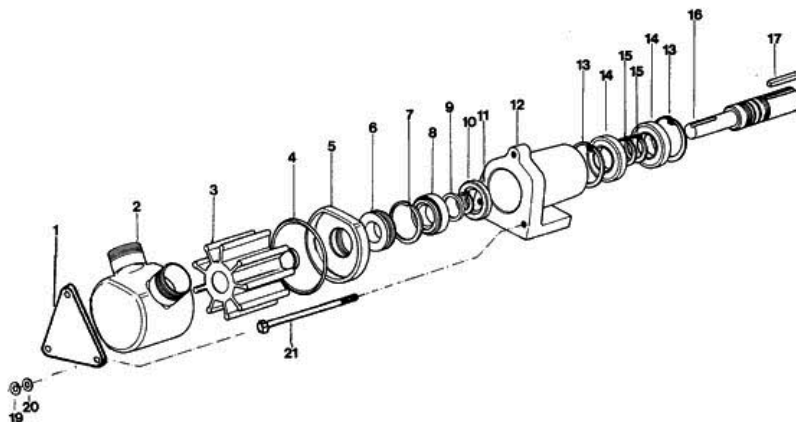
Корпус насоса, рабочее колесо и торцевое уплотнение.

Разборка

Ослабьте глухие гайки и снимите крышку насоса. Затем вытащите корпус вместе с колесом. Снимите вращающуюся часть торцевого уплотнения, уплотнительное кольцо и соединительные тяги из корпуса. Наконец, удалите неподвижную (стационарную) часть уплотнения и брызговик (смазочное кольцо) из вала.

Сборка

Задвиньте колесо в корпус. Задвиньте вращающуюся часть уплотнения по верху вала рабочего колеса до конца. Прикрепите неподвижную часть уплотнения к задней крышке. Прикрепите заднюю крышку к корпусу, задвиньте комплект на вал двигателя, затяните сдерживающий механизм.



Перед установкой крыльчатки (рабочего колеса) она должна быть смазана консистентной смазкой. При использовании насоса для пищевых продуктов, используйте безопасную для здоровья смазку.

Вставьте рабочее колесо в корпус и поверните его по направлению вращения.

Замена шариковых подшипников (голый шток – свободный конец вала)

Разборка

Удалите шарикоподшипники, уплотнение и эластичное кольцо. Извлеките узел, образованный валом, подшипником, эластичным кольцом и стопорным кольцом. Снимите эластичное кольцо и кольцо. Наконец, удалите подшипники и распорные втулки.

Сборка

Установите подшипники и распорную втулку на валу. Поместите стопорное кольцо и прикрепите его с помощью эластичного кольца. Установите узел в опорных подшипниках и прикрепите его помощью эластичного кольца.

7.4.1 Разборка механического (торцевого) уплотнения

Разборка

Ослабьте глухие гайки, снимите корпус, снимите неподвижную часть уплотнения с задней крышки насоса, снимите вращающуюся часть уплотнения с рабочего колеса, замените уплотнение после того как вы погрузите его в мыльную воду.

Сборка

Следуйте описанной выше процедуре в обратном направлении.

8. Технические характеристики

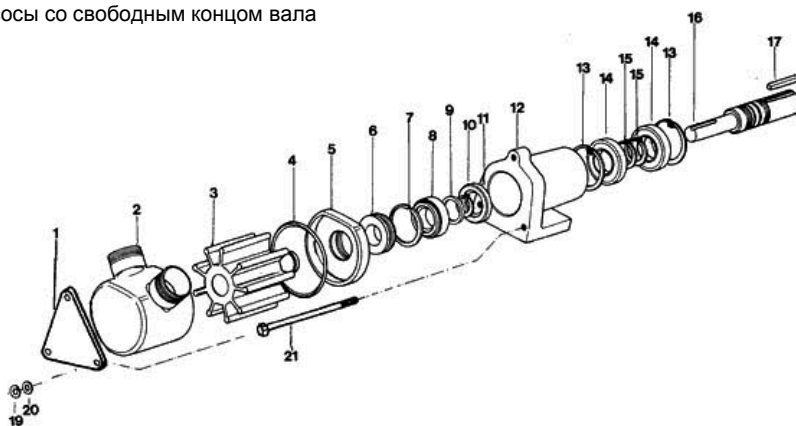
ДИАПАЗОН МОЩНОСТИ	Мощность до 56 м ³ /час
МАКСИМАЛЬНАЯ ТЕМПЕРАТУРА	75° С
МАКСИМАЛЬНОЕ ДАВЛЕНИЕ	3 бар
ДВИГАТЕЛИ	От 0,75 to 6 лошадиных сил Закрытый тип для внешней вентлляции IP55
КОНСТРУКЦИЯ КОРПУСА НАСОСА	AISI 304 или AISI316
КОНСТРУКЦИЯ РАБОЧЕГО КОЛЕСА	Неопрен
УПЛОТНЕНИЕ	Механический вращающийся тип Графит / нерж. / NBR Вольфрам carbite / Вольфрам carbite / NBR Вольфрам carbite / Вольфрам carbite / NBR
ПРОКЛАДКИ УПЛОТНЕНИЯ	NBR

8.1 Техническое обслуживание подшипников

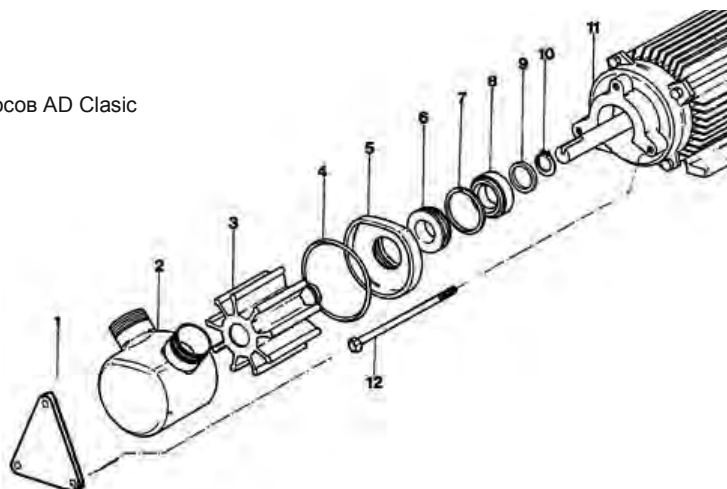
Подшипники насоса со свободным концом вала (с голым валом) AD - постоянно смазываемые подшипники, поэтому никакой смазки для них не требуется. При нормальных рабочих условиях, они должны быть заменены после 15 000 рабочих часов. Что касается подшипников двигателя, их обслуживание осуществляется в соответствии с инструкциями изготовителя.

8.2 Вид в разрезе

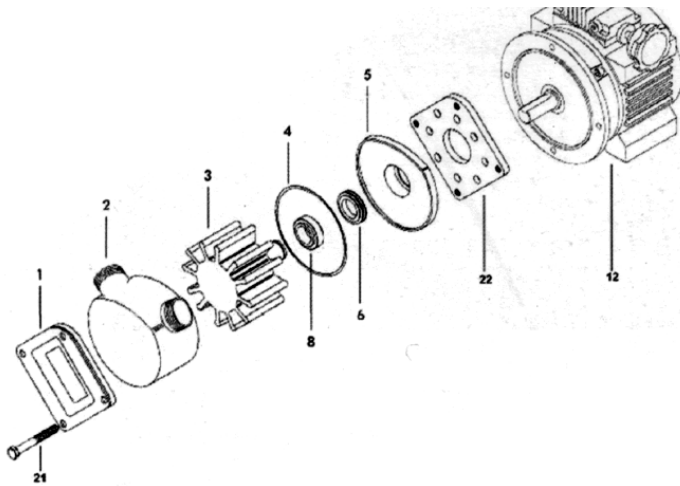
AD насосы со свободным концом вала



Серия насосов AD Clasic

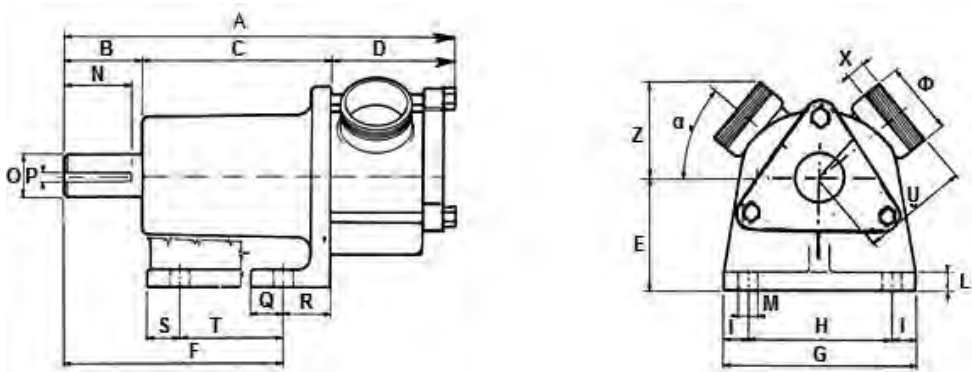


Серия насосов AD ADVANCE



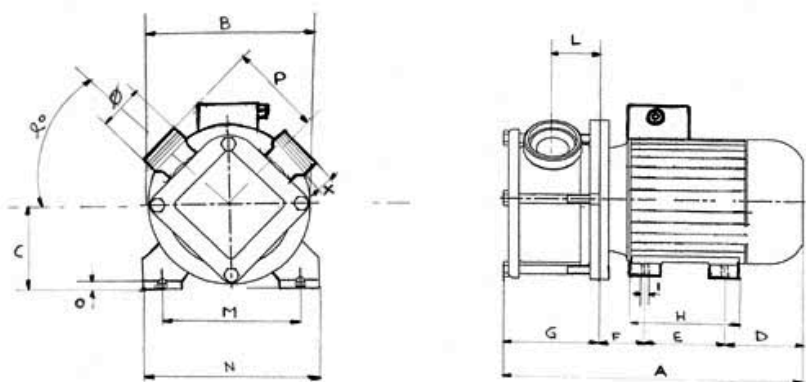
8.3 Размеры

AD насосы со свободным концом вала



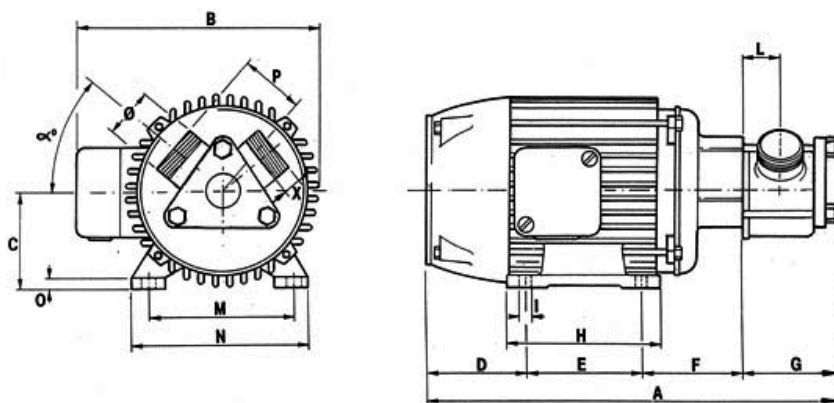
TYPE	A	B	C	D	E	F	G	H	I	L	M	N	O	P	Q	R	S	T	U	X	Z	∅	α
AD 30 BARE SHAFT	250	65	82	103	57	117	113	80	14	15	9	40	25	6x6	20	30	-	-	56	13	47	1 1/4	41
AD 40 BARE SHAFT	278	65	90	123	57	120	137	85	21	14	9	50	30	8x7	30	32	-	-	71	15	53	1 1/2	33
AD 50 BARE SHAFT	390	65	160	165	90	185	160	120	20	14	14	50	35	8x7	-	35	25	96	96	17	70	2	40

Серия насосов AD ADVANCE

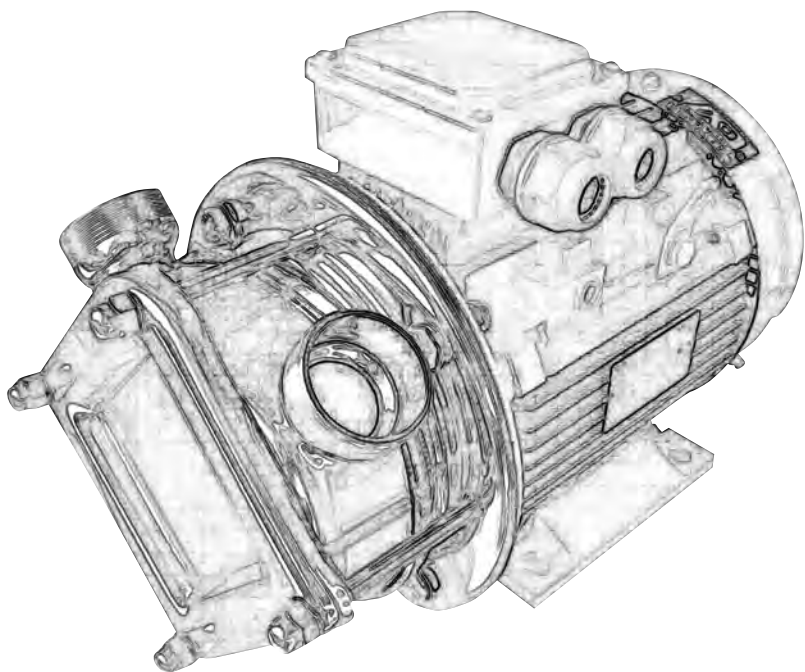


TYPE	A	B	C	D	E	F	G	H	I	L	M	N	O	P	X	σ	∅
AD 30.1	375	210	80	100	100	45	125	170	9	53	125	158	8	—	15	45	1¼"
AD 40.1	430	250	130	103	140	85	135	170	12	37	165	195	47,2	160	20	45	1½"
AD 50.1	435	250	115	100	140	70	125	170	11	54	190	231	11	110	17	40	2"
AD 80.1	860	250	134	190	140	120	235	218	13	85	215	261	16	160	22	45	3"

Серия насосов AD Classic



TYPE	A	B	C	D	E	F	G	H	I	L	M	N	O	P	X	σ	∅
AD 30	367	208	80	83	100	84	100	122	12	30	125	155	10	56	13	41	1¼"
AD 40	445	256	99	98	140	91	118	170	17	35	160	198	14	71	15	33	1½"
AD 50	629	337	124	147	180	145	157	225	20	54	218	256	18	92	17	40	2"
AD 65	587	269	132	158	178	98	164	218	12	65	218	256	17	122	15	45	2¼"



AD

Flexible Impeller Pumps
Насос с Гибким мпеллером

<https://prom-nasos.pro>
<https://bts.net.ua>
<https://prom-nasos.com.ua>
+38 095 656-37-57
+38 067 360-71-01
+38 063 362-12-31
info@prom-nasos.pro