

ALUMAK

PUMPS MANUFACTURING

✧ - 196°C + 400°C ✧



<https://btstech.pl>
+48 22 390 63 48
sklep@btstech.pl

| Temperature Chemical Pump Professional Manufacturing



▲ MDZ-30

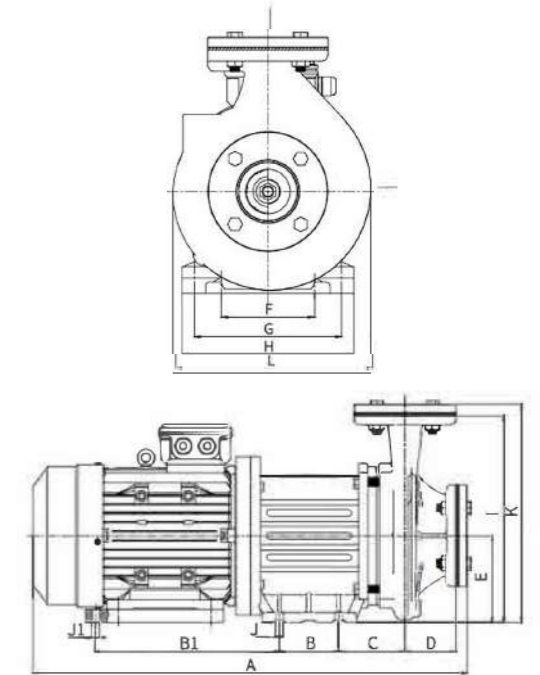
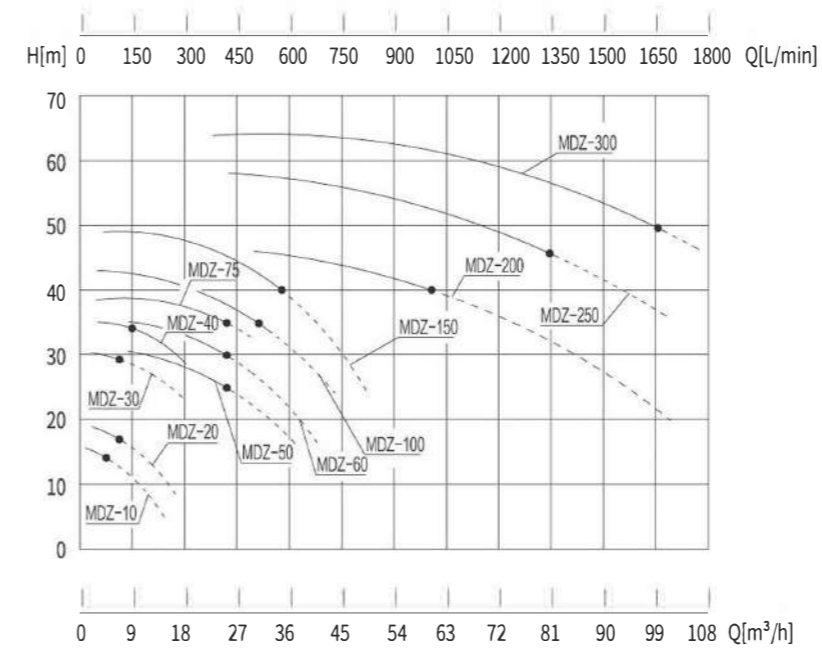
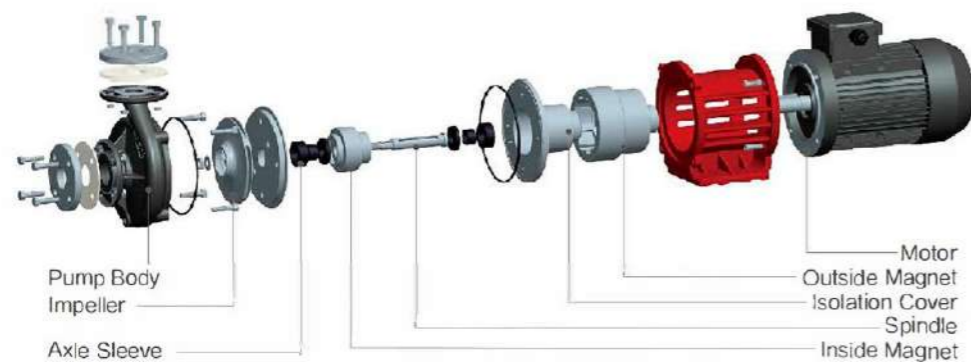
MDZ

STAINLESS STEEL CENTRIFUGAL MAGNETIC PUMP

MDZ series magnetic drive high and low-temperature centrifugal pump, its flow parts are stainless steel or special steel. MDZ pump adopts advanced hydraulic, high-efficiency magnetic transmission structure, novel appearance design, it comes true the energy-saving, safety, and reliability, stable performance, save installation space and long life, etc., MDZ pumps are widely used in middle high-end fields

Application Area: High temperature mold temperature control ling, High and low temperature test instrument, Chemical equipment, Template temperature controlling, High end cleaning equipment, High end printing and dyeing equipment, TCU, High temperature condensate recycle.

Circulation Medium: Water, ethylene glycol, alcohol, thermal oil, hydrocarbon solution, silicone oil, refrigerant gasoline, dyestuff, chemical solution and other liquids without particles and fibers.



Working Condition

Thermal Conductivity Water	Thermal Conductivity Oil Synthetic oil	Glycol/Silicone Oil	Working Temperature	Maximum Elevation	Maximum Working Pressure
+5°C~+180°C	-120°C~+350°C	-120°C~+180°C	-50°C~+70°C	5000m	15bar

Technical Parameter

Model	Diameter		Motor				Performance Parameter		Pump Weight (kg)	
	Inlet	Outlet	Power (KW)	(Hp)	Voltage (V)	Frequency (Hz)	Speed (r/min)	Flux (m³/h)		Head (m)
MDZ-10	DN32	DN25	0.75	1	3Ø-380	50	2760	4	15	28
MDZ-20	DN32	DN25	1.5	2	3Ø-380	50	2760	6	18	30
MDZ-30	DN50	DN32	2.2	3	3Ø-380	50	2760	6.3	30	42
MDZ-40	DN50	DN32	3	4	3Ø-380	50	2900	9	35	45
MDZ-50	DN50	DN40	4	5	3Ø-380	50	2900	25	25	60
MDZ-60	DN50	DN40	4.5	6	3Ø-380	50	2900	25	30	65
MDZ-75	DN50	DN40	5.5	7.5	3Ø-380	50	2900	25	35	87
MDZ-100	DN50	DN40	7.5	10	3Ø-380	50	2900	32	35	118
MDZ-150	DN50	DN40	11	15	3Ø-380	50	2900	35	40	148
MDZ-200	DN80	DN65	15	20	3Ø-380	50	2900	60	40	240
MDZ-250	DN80	DN65	18.5	25	3Ø-380	50	2900	80	45	268
MDZ-300	DN80	DN65	22	30	3Ø-380	50	2900	100	50	300

The above characteristic testing is based on the water transferring with the normal speed under 20 degrees. character's error is about 10%. The pump characters change according to the difference of the liquid mediums' proportion and density.

Installation Size

Model	A	B	C	B1	D	E	F	G	H	I	K	J	J1	L
MDZ-10	503	70	72	-	50	100	100	-	-	224	239	4-Ø12	-	180
MDZ-20	503	70	72	-	50	100	100	-	-	224	239	4-Ø12	-	180
MDZ-30	562	70	72	256	55	110	100	140	180	245	261	4-Ø12	2-Ø10	205
MDZ-40	592	70	72	256	55	110	100	140	180	245	261	4-Ø12	2-Ø10	205
MDZ-50	660	90	100	280	77	132	120	190	220	315	332	4-Ø12	2-Ø10	255
MDZ-60	660	90	100	280	77	132	120	190	220	315	332	4-Ø12	2-Ø10	255
MDZ-75	716	90	100	263	77	132	120	215	220	315	332	4-Ø12	2-Ø10	255
MDZ-100	800	90	100	263	99	132	120	215	220	298	315	4-Ø12	4-Ø14	275
MDZ-150	800	90	100	263	99	132	120	215	220	298	315	4-Ø12	4-Ø14	275
MDZ-200	860	450	90	-	90	275	430	-	500	485	507	4-Ø20	-	300
MDZ-250	930	450	90	-	90	275	430	-	500	485	507	4-Ø20	-	300
MDZ-300	930	450	90	-	90	295	430	-	500	505	527	4-Ø20	-	300

The company reserves the right to change the technology, if there is any change without notice



▲ MDH-30

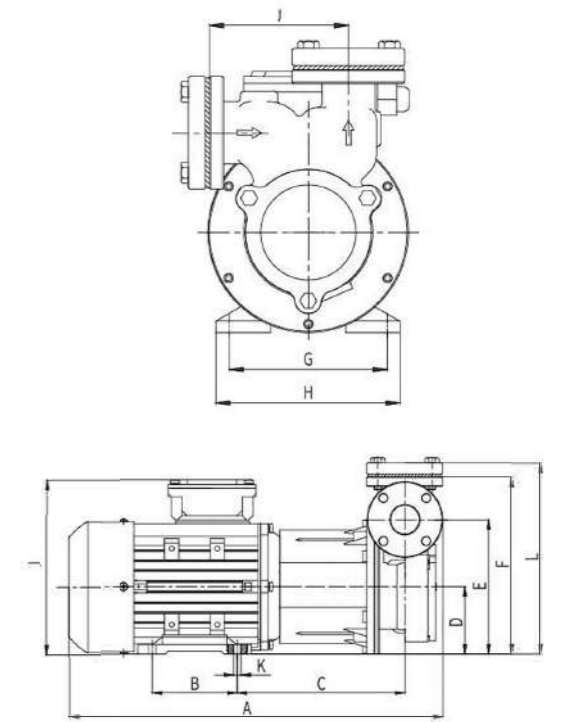
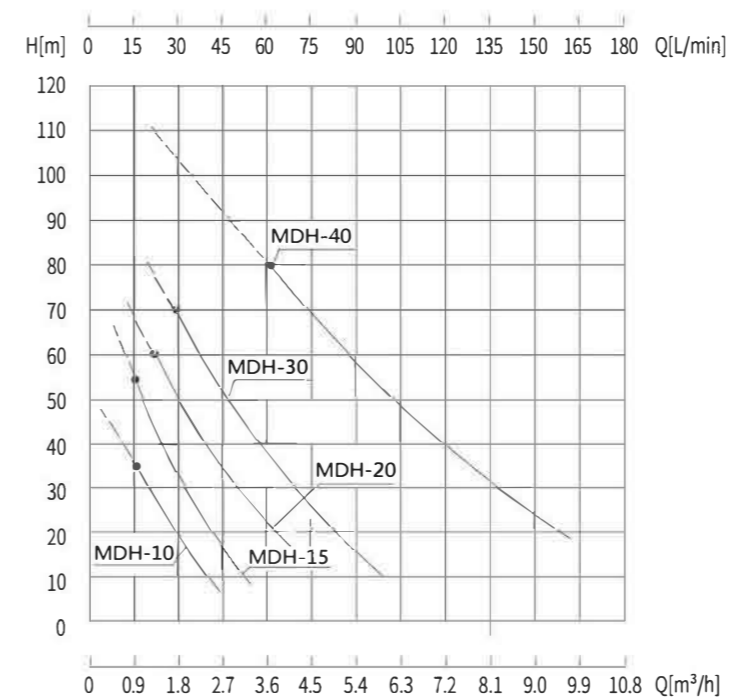
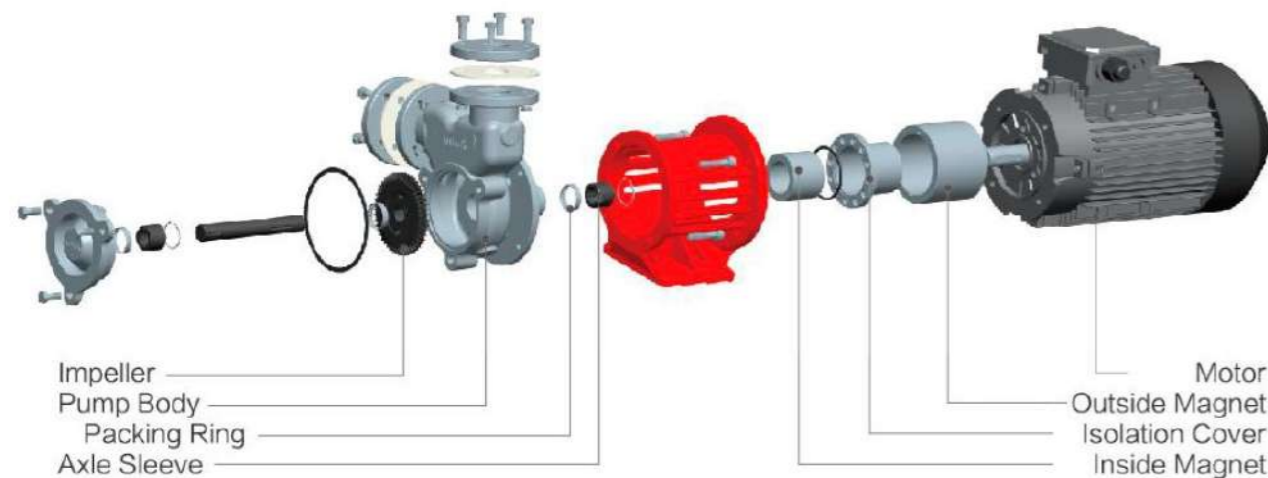
MDH

STAINLESS STEEL VORTEX MAGNETIC PUMP

MDH series magnetic drive high and low temperature vortex magnetic pump, its flow passage parts are made of stainless steel, it has a certain gas-liquid mixing function. MDH series magnetic pump is designed with no shaft seal and worked by magnetic drive, which converts dynamic seal into static seal to realize the safety and stability of the pump under cryogenic and high temperature conditions.

Application Area: High temperature mold temperature controlling, High and low temperature test instrument, Semiconductor precision temperature control, Chemical equipment, Template temperature controlling, Ultrasonic cleaning equipment, High end printing and dyeing equipment, TCU.

Circulation Medium: Water, ethylene glycol, alcohol, thermal oil, hydrocarbon solution, silicone oil, refrigerant gasoline, dyestuff, chemical solution and other liquids without particles and fibers.



Working Condition

Thermal Conductivity Water	Thermal Conductivity Oil Synthetic oil	Glycol/Silicone Oil	Working Temperature	Maximum Elevation	Maximum Working Pressure
+5°C~+200°C	-120°C~+350°C	-120°C~+180°C	-50°C~+70°C	5000m	20bar

Technical Parameter

Model	Diameter		Motor				Performance Parameter		Pump Weight (kg)	
	Inlet	Outlet	Power (KW)	(Hp)	Voltage (V)	Frequency (Hz)	Speed (r/min)	Max./Use Head (m)		Max Flow Rate (l/min)
MDH-10	DN25	DN20	0.75	1	3Ø-380	50	2760	55/35	50	16
MDH-15	DN25	DN20	1.1	1.5	3Ø-380	50	2760	80/55	65	18.5
MDH-20	DN40	DN32	1.5	2	3Ø-380	50	2760	90/60	90	26
MDH-30	DN40	DN32	2.2	3	3Ø-380	50	2760	100/70	120	29
MDH-40	DN50	DN40	3	4	3Ø-380	50	2900	120/80	160	37

The above characteristic testing is based on the water transferring with the normal speed under 20 degrees. character's error is about 10%. The pump characters change according to the difference of the liquid mediums' proportion and density.

Installation Size

Model	A	B	C	D	E	F	G	H	I	J	K	L
MDH-10	384	90	177	71	142	187	112	132	98	183	4-Ø8	202
MDH-15	395	90	177	71	142	187	112	132	98	183	4-Ø8	202
MDH-20	450	100	190	80	161	213	125	153	112	205	4-Ø10	228
MDH-30	503	105	196	90	171	223	140	180	112	225	4-Ø10	238
MDH-40	570	70	80	100	185	244	100	125	125	235	4-Ø12	259

MDH-40 "B" "G" "K"



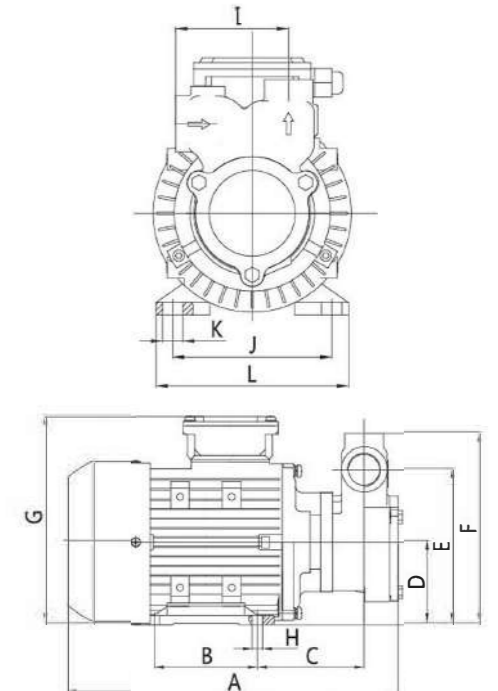
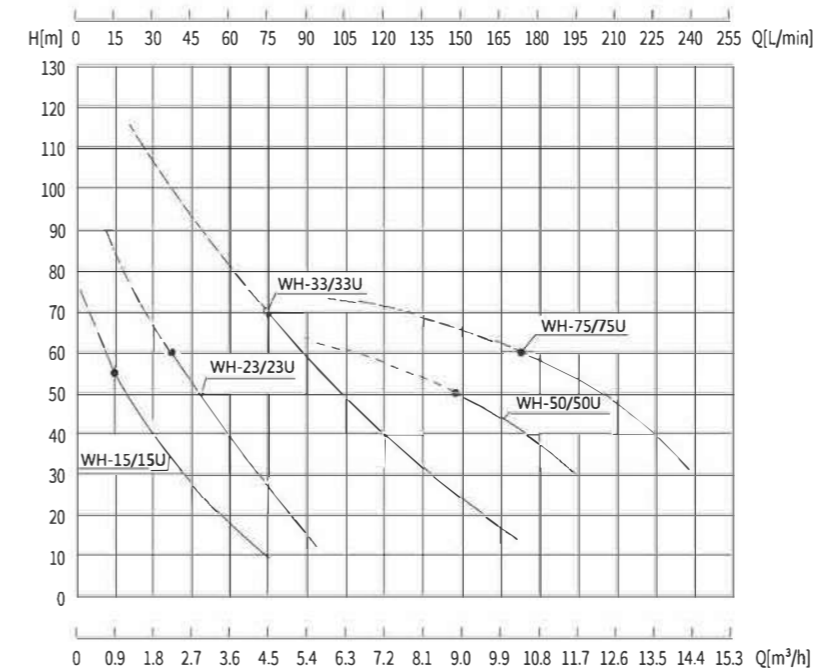
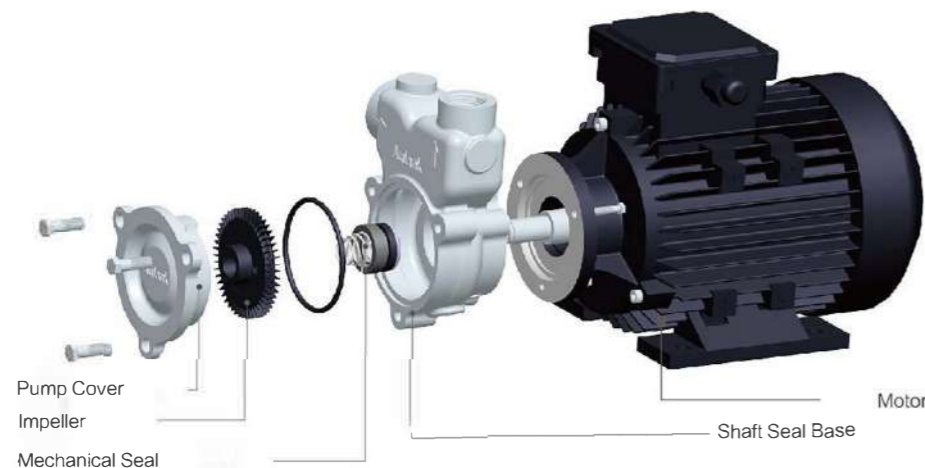
▲ WH-75

WH

STAINLESS STEEL VORTEX PUMP

Application Area: Mold temperature controlling unite, Boiler feed water, Ultrasonic cleaning, Food machine, Ozone generator, High&low temperature detection.

Circulation Medium: Circulation Medium: Water, Ethylene glycol, Alcohol, Heat transfer oil, hydrocarbon solution, silicone oil, cooking oil and other liquids without particles and fibers.



Working Condition

Thermal Conductivity Water	Thermal Conductivity Oil	Glycol/Silicone Oil	Working Temperature	Maximum Elevation	Maximum Working Pressure
+5°C~+160°C	+5°C~+200°C	-30°C~+180°C	-5°C~+40°C	1000m	10bar

Technical Parameter

Model	Diameter		Motor				Performance Parameter		Pump Weight (kg)	
	Inlet	Outlet	Power (KW)	(Hp)	Voltage (V)	Frequency (Hz)	Speed (r/min)	Max./Use Head (m)		Max Flow Rate (l/min)
WH-15/WH-15U	G1"	G3/4"	1.1	1.5	3Ø-380	50	2760	80/55	65	15.5
WH-23/WH-23U	G1.2"	G1"	1.7	2.3	3Ø-380	50	2760	100/60	120	20
WH-33/WH-33U	G1.5"	G1.2"	2.5	3.3	3Ø-380	50	2760	120/70	160	25.5
WH-50/WH-50U	G2"	G1.5"	4	5	3Ø-380	50	2900	70/50	220	40
WH-75/WH-75U	G2"	G1.5"	5.5	7.5	3Ø-380	50	2900	80/60	250	42

The above characteristic testing is based on the water transferring with the normal speed under 20 degrees. character's error is about 10%. The pump characters change according to the difference of the liquid mediums' proportion and density.

The letter "U" means brass impeller.

Installation Size

Model	A	B	C	D	E	F	G	H	I	J	K	L
WH-15/WH-15U	320	100	103	80	150	185	202	4-Ø10	88	125	16	153
WH-23/WH-23U	408	100	118	90	171	210	225	4-Ø10	99.5	140	16	180
WH-33/WH-33U	415	100	120	90	175	221	225	4-Ø10	115	140	16	180
WH-50/WH-50U	525	140	150	100	200	257	250	4-Ø12	125	160	16	200
WH-75/WH-75U	525	140	150	100	200	257	250	4-Ø12	125	160	16	200



-120°C~+350°C High & low Temperature Chemical Pump Professional Manufacturing



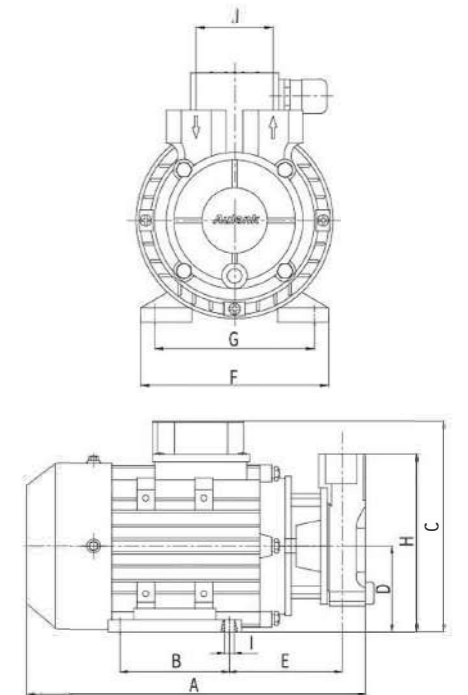
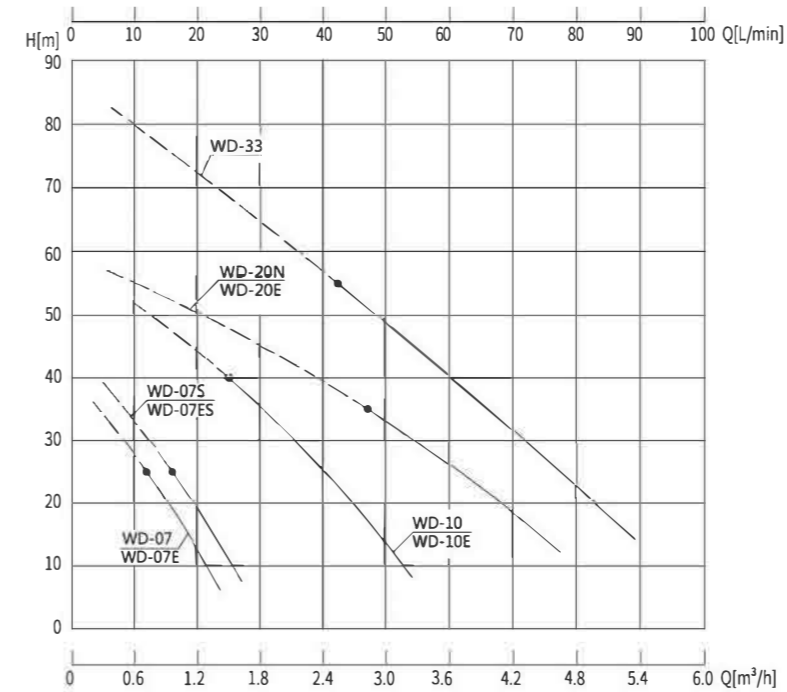
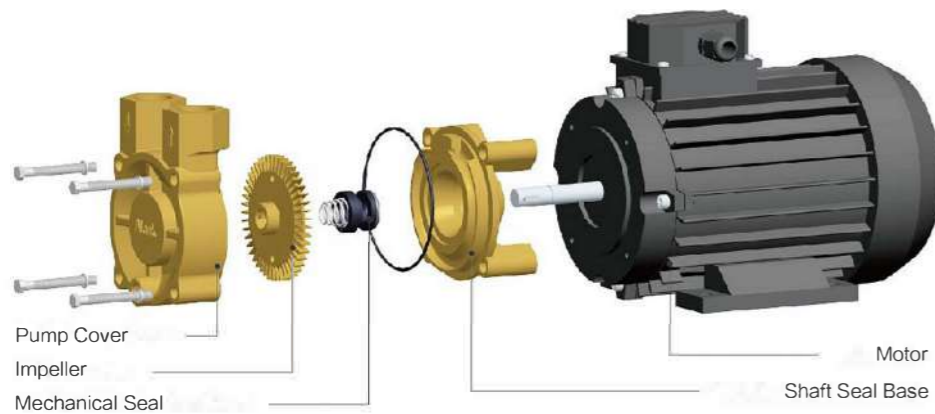
▲ **WD-20N**

WD

COPPER / STAINLESS STEEL VORTEX PUMP

Application Area: Mold temperature controlling, Medical sterilization, Reaction kettle, Steam generator, Welder cooling, Testing instrument, Boiler feed water, Hot water furnace, Food equipment.

Circulation Medium: Water, ethylene glycol, alcohol, thermal oil, hydrocarbon solution, silicone oil and other liquids without particles and fibers.



Working Condition

Thermal Conductivity Water	Thermal Conductivity Oil	Glycol/Silicone Oil	Working Temperature	Maximum Elevation	Maximum Working Pressure
+5°C~+160°C	+5°C~+200°C	-30°C~+180°C	-5°C~+40°C	1000m	10bar

Technical Parameter

Model	Diameter		Motor				Performance Parameter		Pump Weight (kg)	
	Inlet	Outlet	Power (KW)	(Hp)	Voltage (V)	Frequency (Hz)	Speed (r/min)	Max./Use Head (m)		Max Flow Rate (l/min)
WD-07	G1/2"	G1/2"	0.55	0.7	3Ø-380	50	2760	40/25	25	6.5
WD-07S	G1/2"	G1/2"	0.55	0.7	1Ø-220	50	2760	45/25	30	10
WD-07E	G1/2"	G1/2"	0.55	0.7	3Ø-380	50	2760	40/25	25	6
WD-07ES	G1/2"	G1/2"	0.55	0.7	1Ø-220	50	2760	45/25	30	9
WD-10	G3/4"	G3/4"	0.75	1	3Ø-380	50	2760	60/40	60	11
WD-10E	DN20	DN20	0.75	1	3Ø-380	50	2760	60/40	60	11
WD-20N	DN20	DN20	1.5	2	3Ø-380	50	2760	60/35	90	16
WD-20E	G3/4"	G3/4"	1.5	2	3Ø-380	50	2760	60/35	90	15
WD-33	DN25	DN25	2.5	3.3	3Ø-380	50	2760	85/55	108	26

The above characteristic testing is based on the water transferring with the normal speed under 20 degrees. character's error is about 10%. The pump characters change according to the difference of the liquid mediums' proportion and density.

The letter "E" means stainless steel pump body.

Installation Size

Model	A	B	C	D	E	F	G	H	I	J
WD-07	237	80	160	63	75	125	100	119	4-Ø8	35
WD-07S	265	90	175	71	83	132	112	127	4-Ø8	35
WD-07E	237	80	160	63	75	125	100	119	4-Ø8	35
WD-07ES	265	90	175	71	83	132	112	127	4-Ø8	35
WD-10	285	90	175	71	92	132	112	147	4-Ø8	55
WD-10E	293	90	175	71	90	132	112	148	4-Ø8	55
WD-20N	315	100	193	80	92.5	153	125	202	4-Ø10	55
WD-20E	315	100	193	80	92.5	153	125	202	4-Ø10	55
WD-33	400	125	210	90	138	170	140	223	4-Ø10	60

The company reserves the right to change the technology, if there is any change without notice



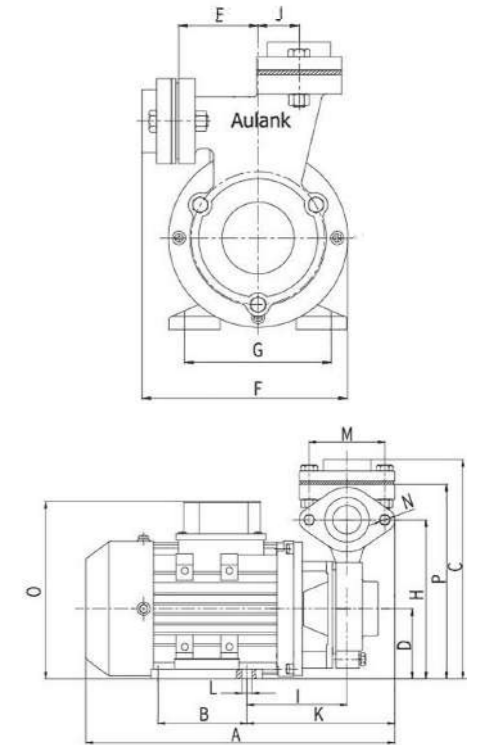
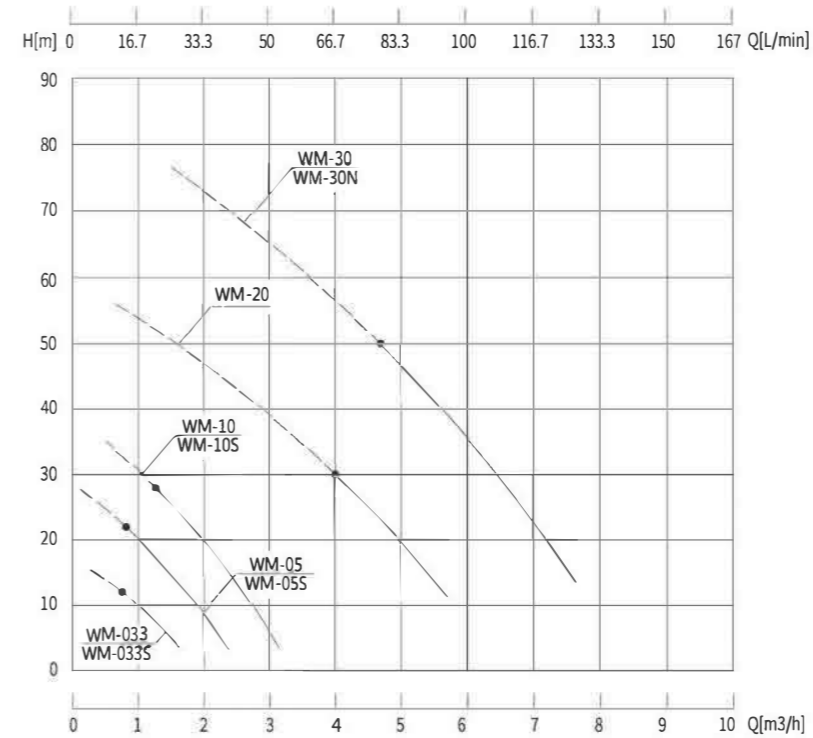
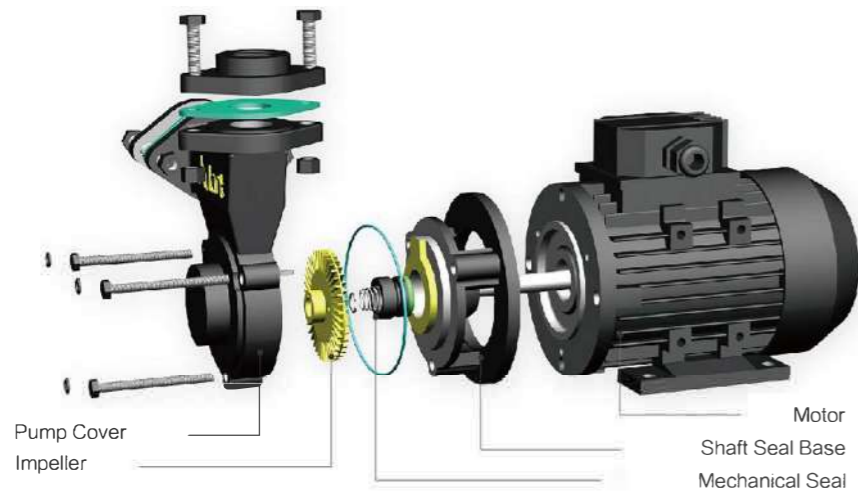
WM

CASTING IRON VORTEX PUMP

▲ WM-30N

Application Area: Mold temperature controlling, Ultrasonic cleaning, Testing instrument, Machine tool cooling, Cylinder heat preservation, Hot and cold switching system.

Circulation Medium: Water, ethylene glycol, alcohol, thermal oil, hydrocarbon solution, silicone oil and other liquids without particles and fibers.



Working Condition

Thermal Conductivity Water	Thermal Conductivity Oil	Ethylene glycol	Working Temperature	Maximum Elevation	Maximum Working Pressure
+5°C~+160°C	+5°C~+200°C	-30°C~+180°C	-5°C~+40°C	1000m	10bar

Technical Parameter

Model	Diameter		Motor				Performance Parameter		Pump Weight (kg)	
	Inlet	Outlet	Power (KW)	(Hp)	Voltage (V)	Frequency (Hz)	Speed (r/min)	Max/Use Head (m)		Max Flow Rate (L/min)
WM-033	DN20	DN20	0.25	0.33	3Ø-380	50	2760	15 / 12	30	9
WM-033S					1Ø-220					
WM-05	DN20	DN20	0.37	0.5	3Ø-380	50	2760	28 / 22	42	9
WM-05S					1Ø-220					
WM-10	DN20	DN20	0.75	1	3Ø-380	50	2760	38 / 28	56	12.5
WM-10S					1Ø-220					
WM-20	DN25	DN25	1.5	2	3Ø-380	50	2760	60 / 30	110	18
WM-30	G1 1/2"	G1 3/4"	2.2	3	3Ø-380	50	2760	85 / 50	140	24
WM-30N	DN40	DN32	2.2	3	3Ø-380	50	2760	85 / 50	140	24

The above characteristic testing is based on the water transferring with the normal speed under 20 degrees. character's error is about 10%. The pump characters change according to the difference of the liquid mediums' proportion and density.

Installation Size

Model	A	B	C	D	E	F	G	H	J	J	K	C	M	N	O	P
WM-033/WM-033S	275	80	197	63	54	144	100	142.5	85	29	128	4-Ø8	68	2-Ø9	160	175
WM-05/WM-05S	275	80	197	63	54	144	100	142.5	85	29	128	4-Ø8	68	2-Ø9	160	175
WM-10/WM-10S	305	90	197	71	66	159	112	127	96	/	139	4-Ø8	68	2-Ø9	175	175
WM-20	350	100	216.5	80	72	172	125	150	120	/	166	4-Ø10	73	4-Ø9	193	192.5
WM-30	400	125	220	90	70	/	140	175	132	40	/	4-Ø10	/	/	210	220
WM-30N	413	125	252.5	90	95	208	140	175	132	40	184.5	4-Ø10	Ø78	4-Ø10	210	232



▲ RGZ-75E

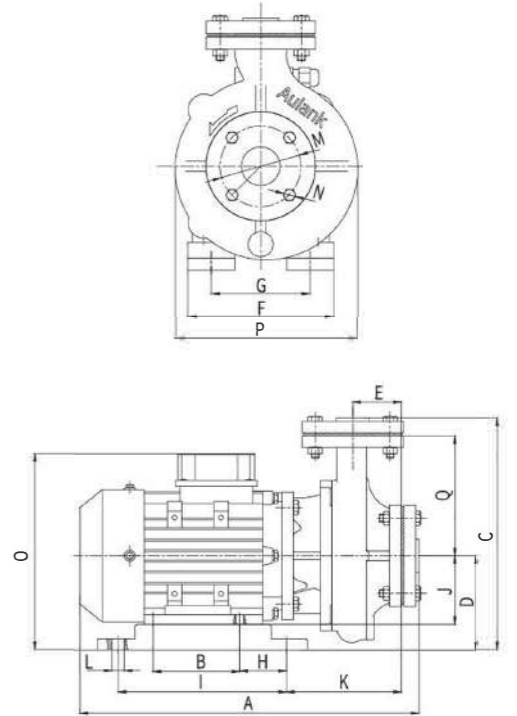
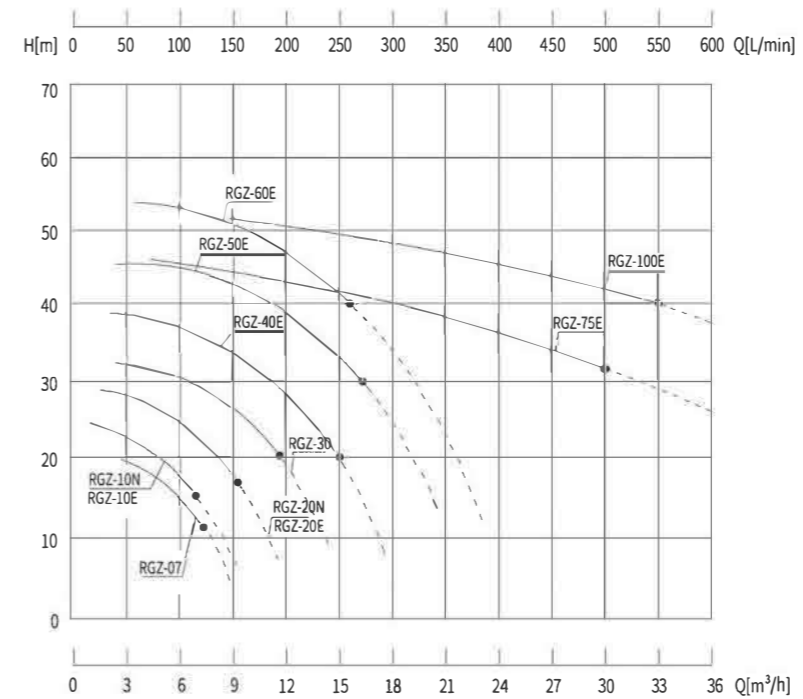
RGZ

STAINLESS STEEL

CENTRIFUGAL PUMP

Application Area: Mold temperature controlling, Roller temperature controlling, Reaction kettle, Hot-pressing equipment, Extruding equipment, Hot and cold switching system etc., Food processing equipment.

Circulation Medium: Water, ethylene glycol, alcohol, thermal oil, hydrocarbon solution, silicone oil, edible oil and other liquids without particles and fibers.



Working Condition

Thermal Conductivity Water	Thermal Conductivity Oil	Ethylene glycol	Working Temperature	Maximum Elevation	Maximum Working Pressure
+5°C~+160°C	+5°C~+200°C	-30°C~+180°C	-5°C~+40°C	1000m	10bar

Technical Parameter

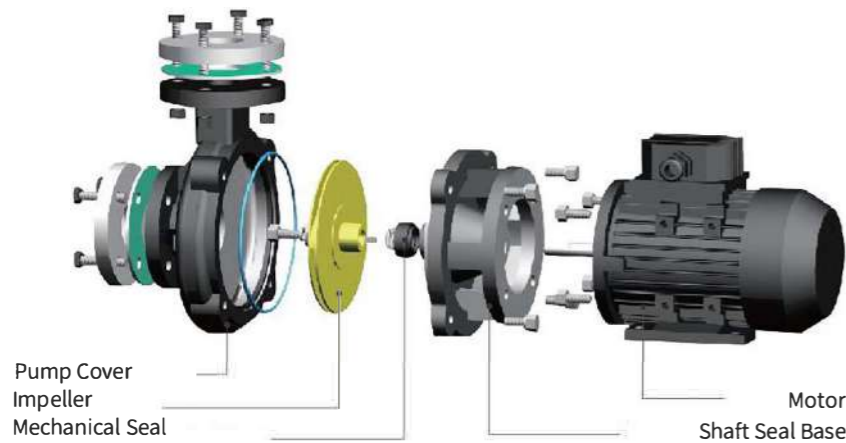
Model	Diameter		Motor				Performance Parameter		Pump Weight (kg)	
	Inlet	Outlet	Power (KW)	(Hp)	Voltage (V)	Frequency (Hz)	Speed (r/min)	Max Head (m)		Max /Use Flow Rate (l/min)
RGZ-07	DN20	DN15	0.5	0.7	3ø-380	50	2760	22	150/120	15
RGZ-10N/RGZ-10E	DN32	DN25	0.75	1	3ø-380	50	2760	25	160/133	14
RGZ-20N/RGZ-20E	DN32	DN25	1.5	2	3ø-380	50	2760	30	200/150	18.5
RGZ-30	DN50	DN32	2.2	3	3ø-380	50	2760	36	240/188	33
RGZ-40E	DN50	DN32	3	4	3ø-380	50	2900	40	300/255	32
RGZ-50E	DN50	DN40	4	5	3ø-380	50	2900	45	367/267	55
RGZ-60E	DN50	DN40	4.5	6	3ø-380	50	2900	52	400/285	60
RGZ-75E	DN65	DN50	5.5	7.5	3ø-380	50	2900	45	750/500	63
RGZ-100E	DN65	DN50	7.5	10	3ø-380	50	2900	52	1000/535	65

The above characteristic testing is based on the water transferring with the normal speed under 20 degrees. character's error is about 10%. The pump characters change according to the difference of the liquid mediums' proportion and density.

The letter "E" means stainless steel pump body.

Installation Size

Model	A	B	C	D	E	F	G	H	I	J	K	L	M	N	O	P	Q
RGZ-07	325	80	246	100	63	120	100	-	-	63	-	4-Ø8	Ø78	4-Ø10	175	230	130
RGZ-10N/RGZ-10E	350	90	240	98	50.5	132	87	48.5	175	71	117.5	4-Ø13	Ø78	4-Ø10	200	Ø180	125
RGZ-20N/RGZ-20E	385	100	250	107	50.5	153	108	36.5	175	80	130.5	4-Ø13	Ø78	4-Ø10	220	Ø180	125
RGZ-30	430	125	274	117	55	170	122	50	245	90	132	4-Ø12	Ø94	4-Ø12	235	Ø210	135
RGZ-40E	480	140	278	127	55	195	142	50	245	100	152	4-Ø12	Ø94	4-Ø12	303	Ø204	135
RGZ-50E/60E	507	140	340	139	77	220	172	50	245	112	191	4-Ø12	Ø120	4-Ø15	320	Ø256	183
RGZ-75E	610	140	315	-	99	250	215	-	-	132	196	4-Ø14	Ø120	4-Ø15	320	Ø275	166
RGZ-100E	610	140	315	-	99	250	215	-	-	132	196	4-Ø14	Ø120	4-Ø15	320	Ø275	166





AGD-75

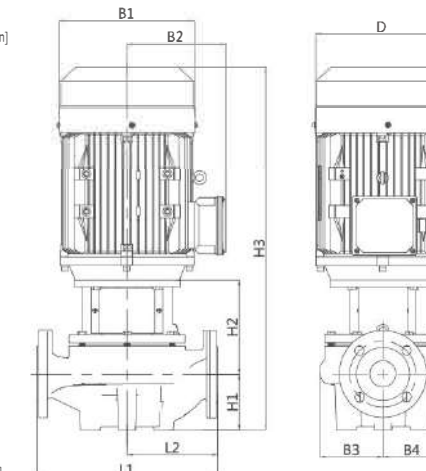
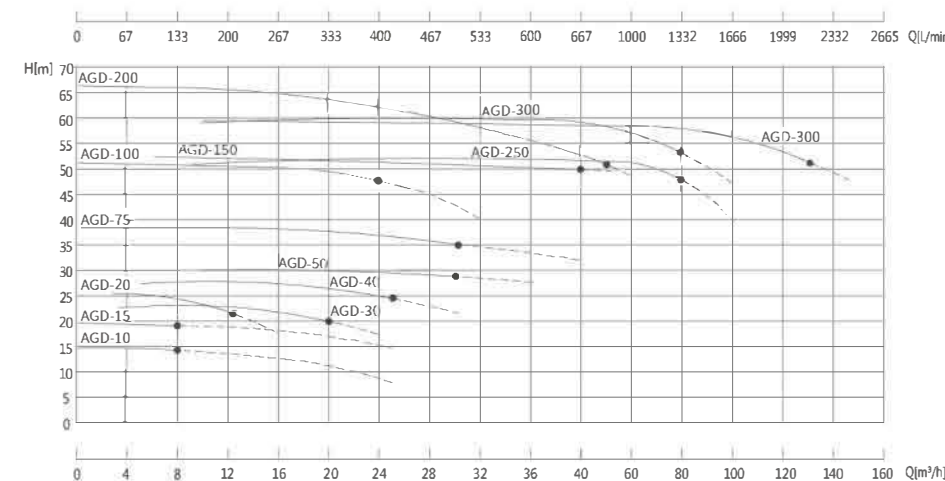
AGD

HIGH-LOW TEMPERATURE
VERTICAL
PIPELINE PUMP

AGD series high-low temperature vertical pipeline circulating pump is a single-stage single-suction centrifugal pump, designed with a direct-connected design structure, a hydraulic model with excellent performance, and precision casting of over-current components, with low friction loss and high pump efficiency. This series of pumps has the advantages of high efficiency and energy saving, low noise, low vibration, high-low temperature resistance, and reliable performance and reliability, stable performance, save installation space and long life, etc., MDZ pumps are widely used in middle high-end fields

Application Area: Temperature control equipment, heating system, HVAC, air conditioning system, industrial liquid conveying, water supply system, controlling, High end cleaning equipment, High end printing and dyeing equipment, TCU, High temperature condensate recycle.

Circulation Medium: This pump is suitable for conveying thin, clean, non-erosive, non-flammable and explosive liquids that do not contain solid particles, fibers or physical and chemical properties similar to water.



Working Condition					
Thermal Conductivity Water	Thermal Conductivity Oil	Ethylene glycol	Working Temperature	Maximum Elevation	Maximum Working Pressure
+5°C~+160°C	+5°C~+200°C	-30°C~+180°C	-5°C~+40°C	1000m	10bar

Technical Parameter										
Model	Diameter		Motor					Performance Parameter		Pump Weight (kg)
	Inlet	Outlet	Power (kW)	(Hp)	Voltage (V)	Frequency (Hz)	Speed (r/min)	Rated Head (m)	Rated Capacity (m³/h)	
AGD-10	DN32	DN32	0.75	1	3ø-380	50	2900	14	8	33
AGD-15	DN32	DN32	1.1	1.5	3ø-380	50	2900	18	8	34
AGD-20	DN32	DN32	1.5	2	3ø-380	50	2900	21	12.5	38
AGD-30	DN40	DN40	2.2	3	3ø-380	50	2900	20	20	42
AGD-40	DN50	DN50	3	4	3ø-380	50	2900	24	25	55
AGD-50	DN40	DN40	4	5	3ø-380	50	2900	30	28	65
AGD-75	DN50	DN50	5.5	7.5	3ø-380	50	2900	35	30	81
AGD-100	DN40	DN40	7.5	10	3ø-380	50	2900	48	25	95
AGD-150	DN50	DN50	11	15	3ø-380	50	2900	50	40	185
AGD-200	DN65	DN65	15	20	3ø-380	50	2900	51	50	195
AGD-250	DN80	DN80	18.5	25	3ø-380	50	2900	47	80	203
AGD-300	DN80	DN80	22	30	3ø-380	50	2900	54	80	256
AGD-400	DN100	DN100	30	40	3ø-380	50	2900	52	130	336

The above characteristic testing is based on the water transferring with the normal speed under 20 degrees, character's error is about 10%. The pump characters change according to the difference of the liquid mediums' proportion and density.

Installation Size										
Model	L1	L2	H1	H2	H3	B1	B2	D	B3	B4
AGD-10	320	160	90	135	455	150	115	150	100	100
AGD-15	320	160	90	135	455	150	115	150	100	100
AGD-20	320	160	90	137	492	171	137	173	100	100
AGD-30	320	160	85	145	516	171	137	140	105	95
AGD-40	340	170	105	147	590	196	150	160	115	100
AGD-50	340	170	105	152	600	215	170	160	118	110
AGD-75	340	170	105	177	686	257	187	253	118	110
AGD-100	380	190	90	181	675	257	187	253	133	128
AGD-150	400	200	105	225	830	315	260	350	171	163
AGD-200	440	220	115	225	830	325	388	350	171	163
AGD-250	450	225	115	240	900	315	260	350	160	138
AGD-300	450	225	115	240	932	355	273	350	160	138
AGD-400	550	275	140	257	1050	397	315	400	180	152